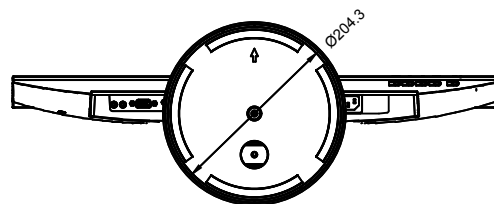
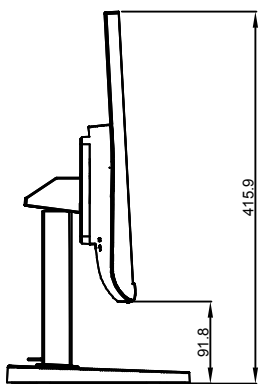
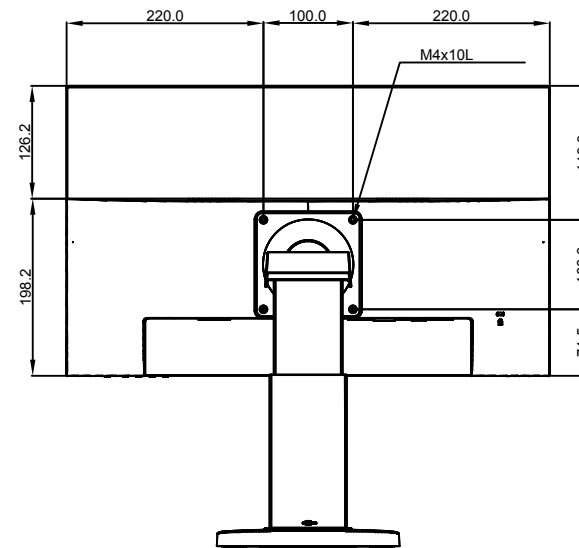
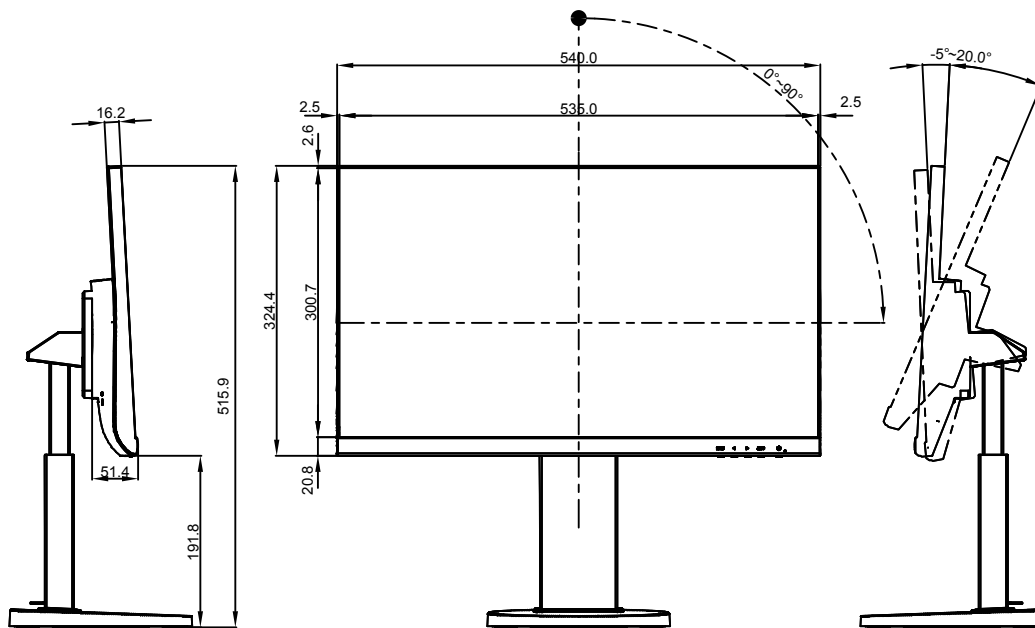


FS-24G  
 Net weight : 4.9 kg(with stand)  
 3.3 kg(w/o stand)



SPECIFICATIONS SUBJECT TO CHANGE WITHOUT NOTICE.

 <a href="http://www.agneovo.com">www.agneovo.com</a>	Model Name:	
	FS-24G	
<small>THIS DRAWING ON THIS PRINT AND INFORMATION BELONG WITH AG Neovo. ANY REPRODUCTION IN PART OR WHOLE WITHOUT WRITTEN PERMISSION OF AG Neovo IS PROHIBITED.</small>	 <small>THIRD ANGLE PROJECTION</small>	<small>P/C:FS4G00</small> <small>SCALE 1:1 UNITS mm V1.03</small>