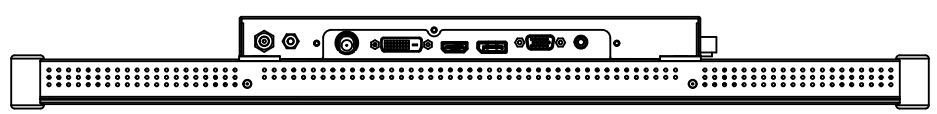
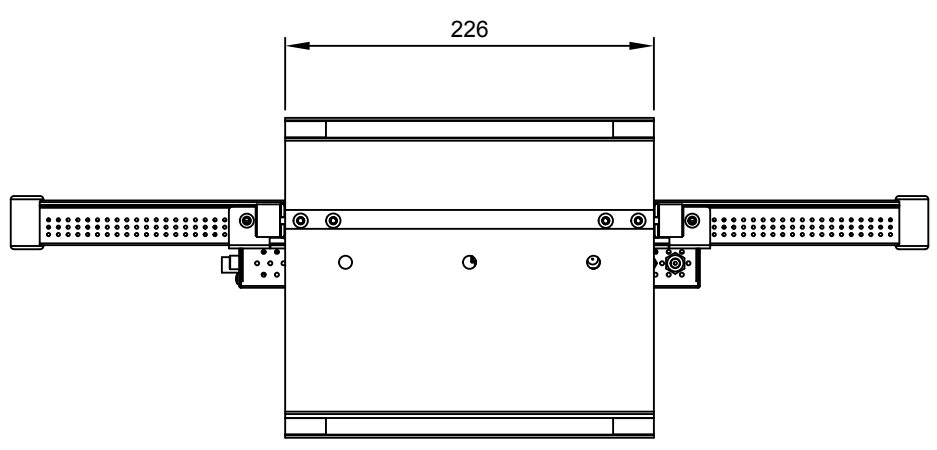
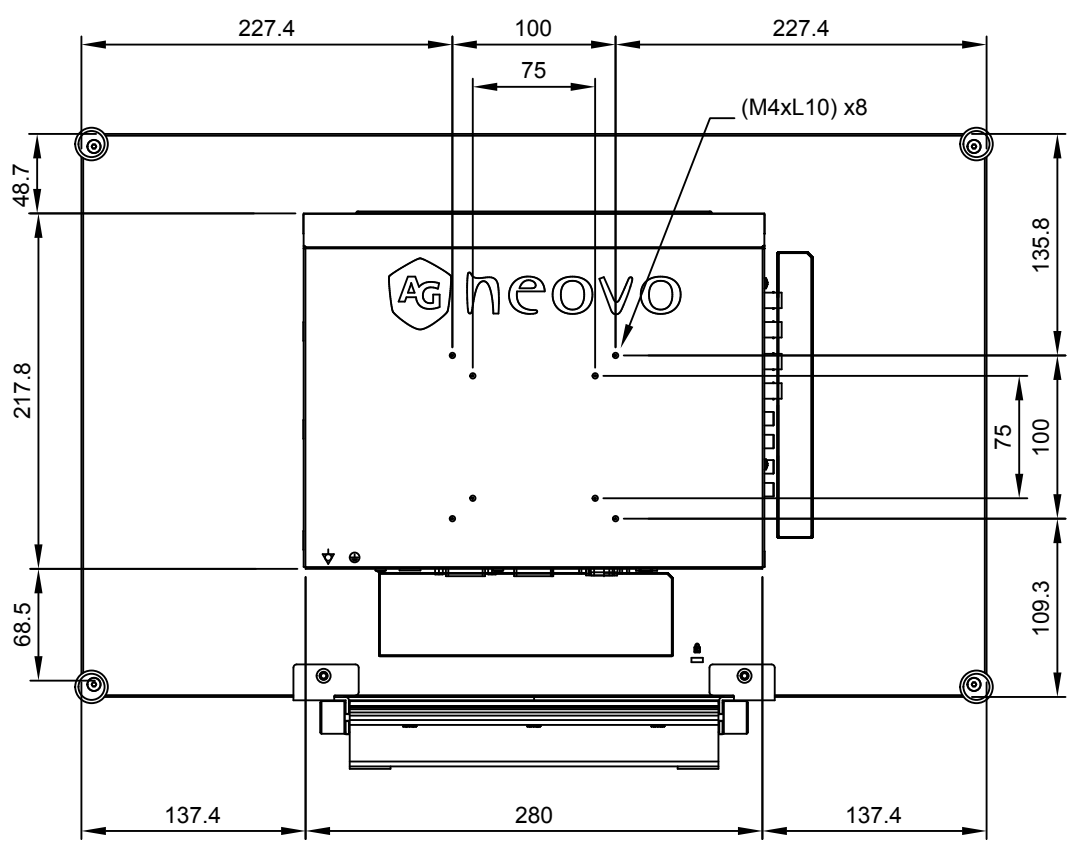
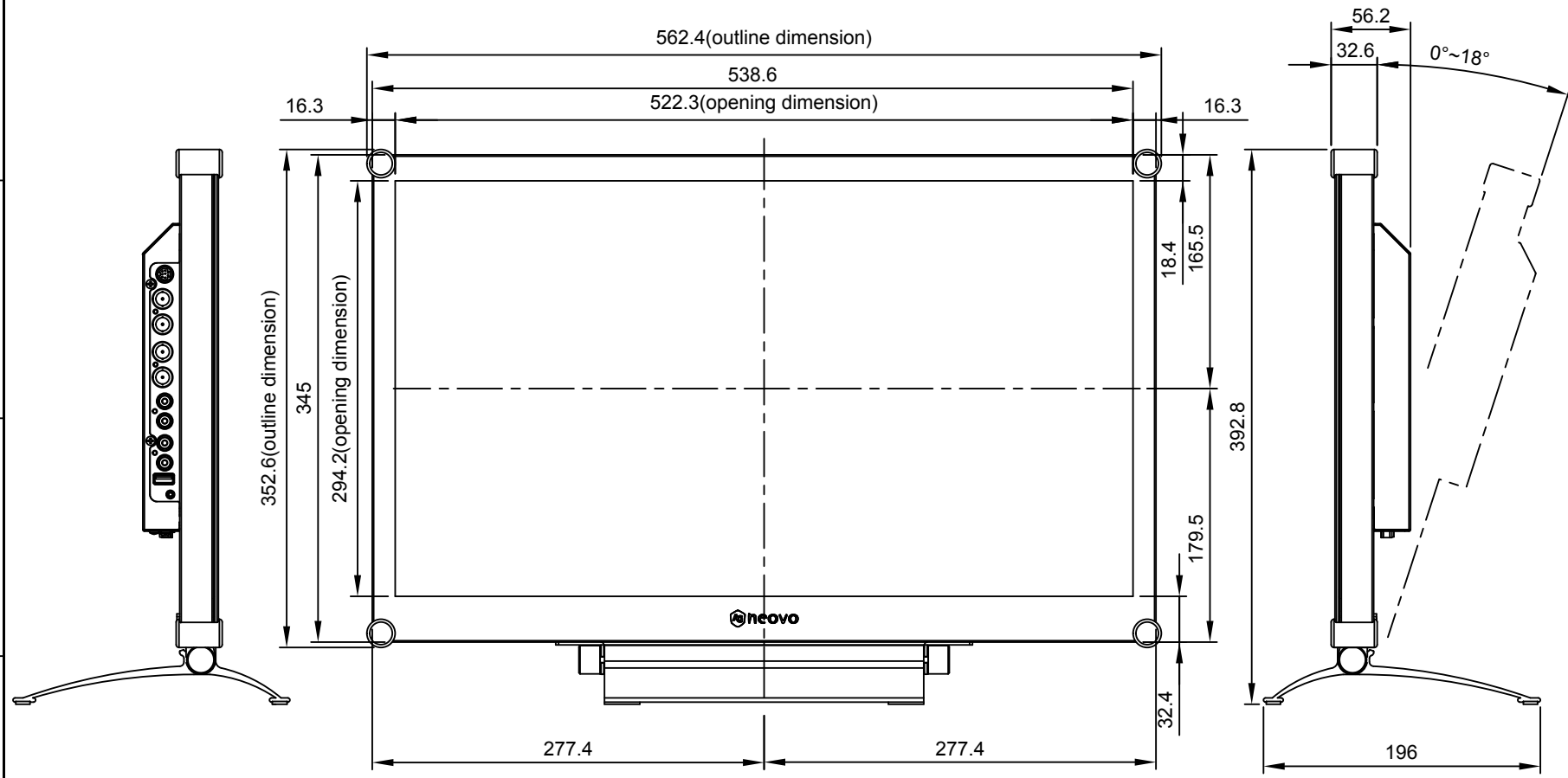
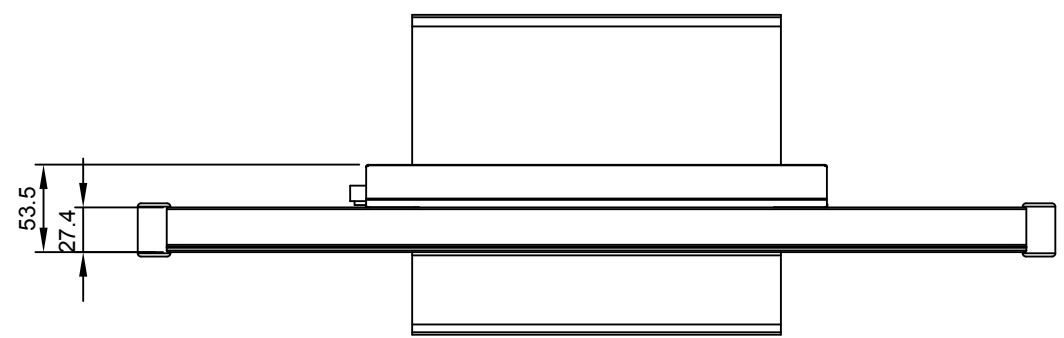



RX-24G

Net weight : 8.1kg (with Stand)

7.3kg (w/o Stand)



SPECIFICATIONS SUBJECT TO CHANGE WITHOUT NOTICE.

 www.agneovo.com	Model Name:	RX-24G
	<small>THIS DRAWING ON THIS PRINT AND INFORMATION BELONG WITH AG Neovo. ANY REPRODUCTION IN PART OR WHOLE WITHOUT WRITTEN PERMISSION OF AG Neovo IS PROIBITED.</small>	<small>P/C:RX4G00</small> <small>SCALE 1:1 UNITS mm V.1.03</small>