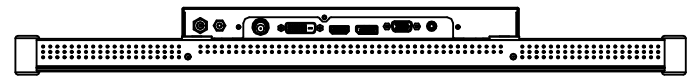
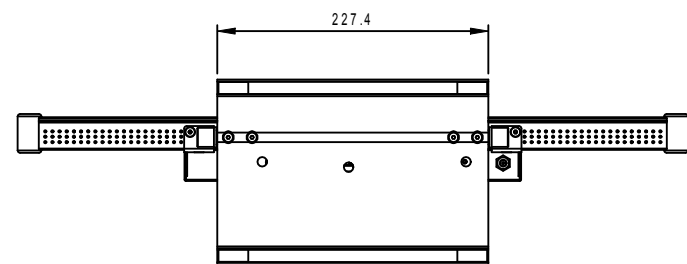
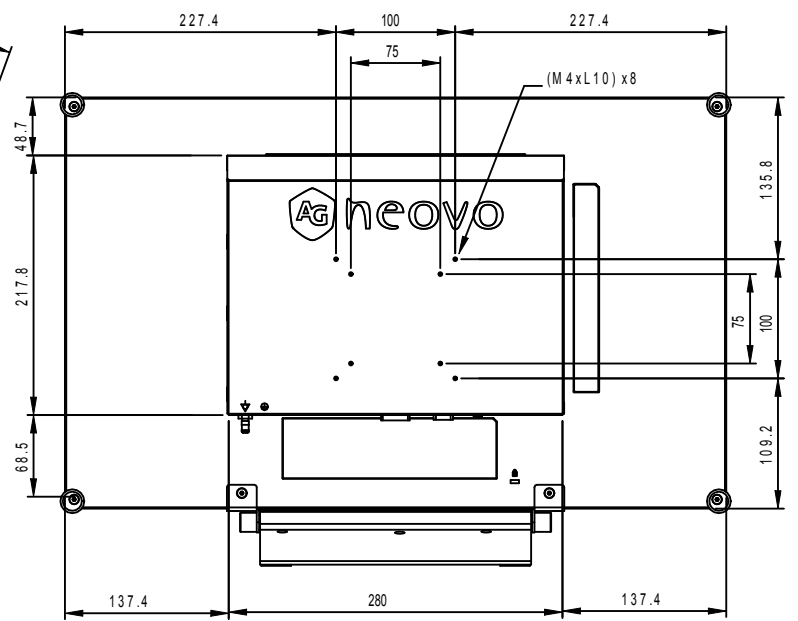
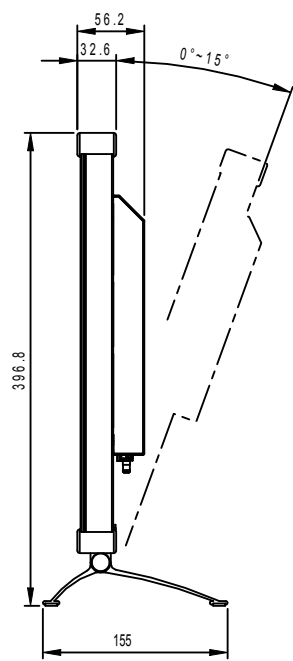
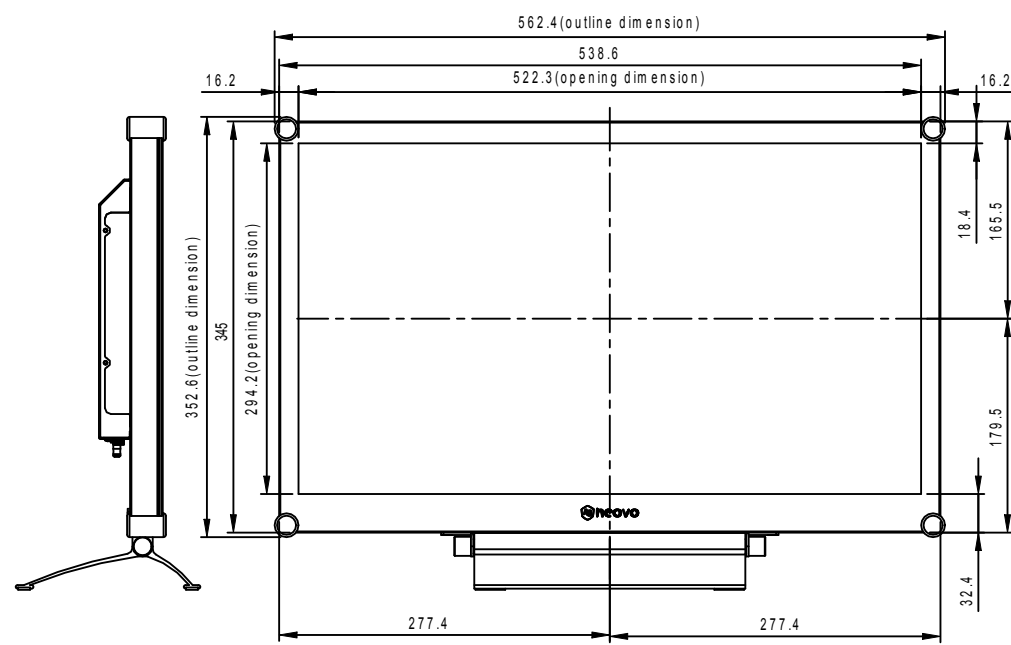
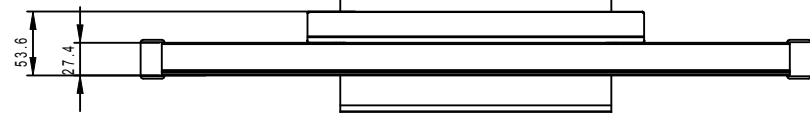


MX-24

Net weight : 7.8kg (with Stand)

7.2kg (w/o Stand)



SPECIFICATIONS SUBJECT TO CHANGE WITHOUT NOTICE.

 www.agneovo.com	Model Name:	
	MX-24	
<small>THIS DRAWING ON THIS PRINT AND INFORMATION BELONG WITH AG Neovo. ANY REPRODUCTION IN PART OR WHOLE WITHOUT WRITTEN PERMISSION OF AG Neovo IS PROHIBITED.</small>		<small>P/C:MX2400/MX24A0</small>
<small>SCALE 1:1</small>	<small>UNITS mm</small>	<small>V1.04</small>