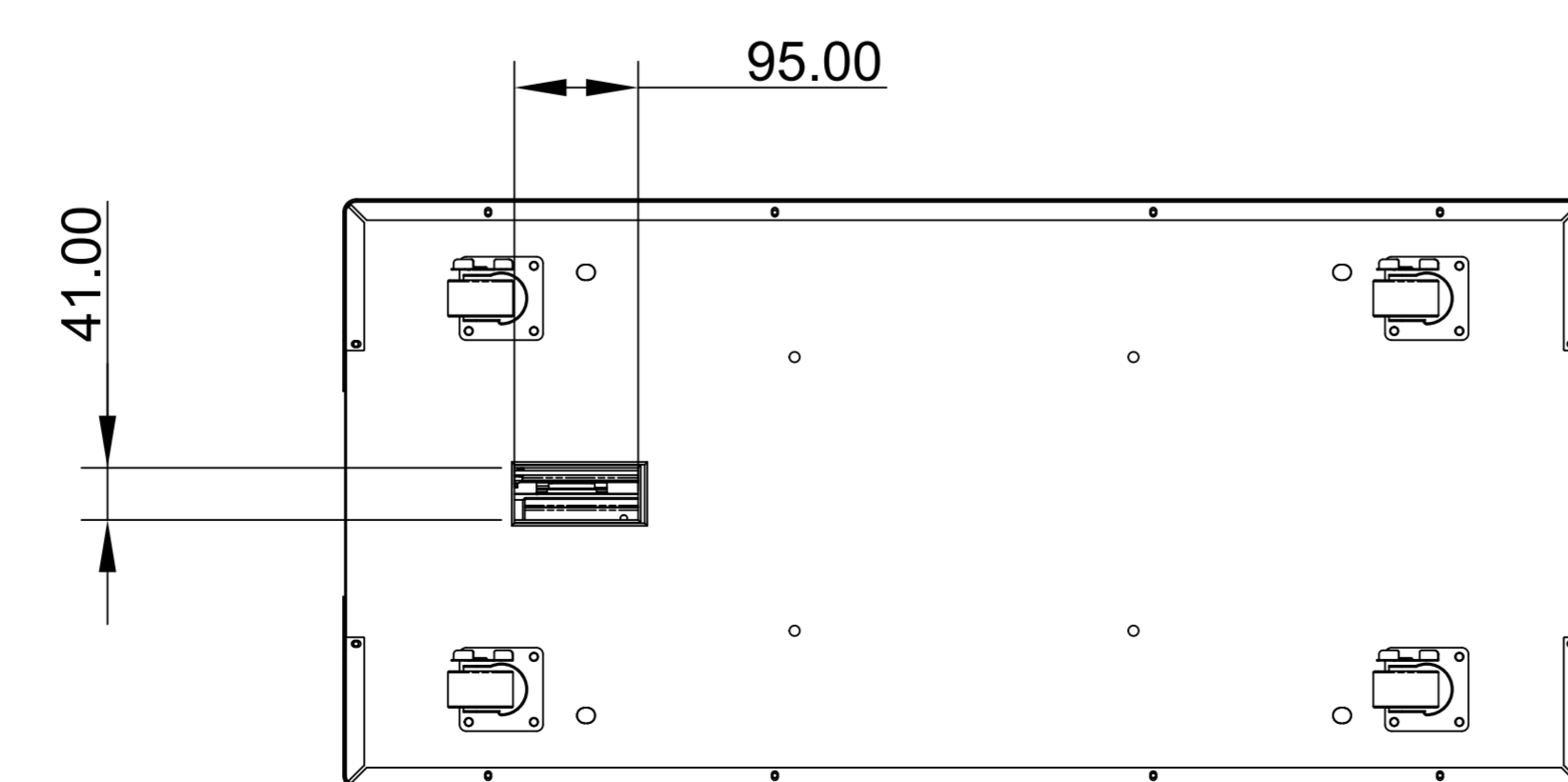
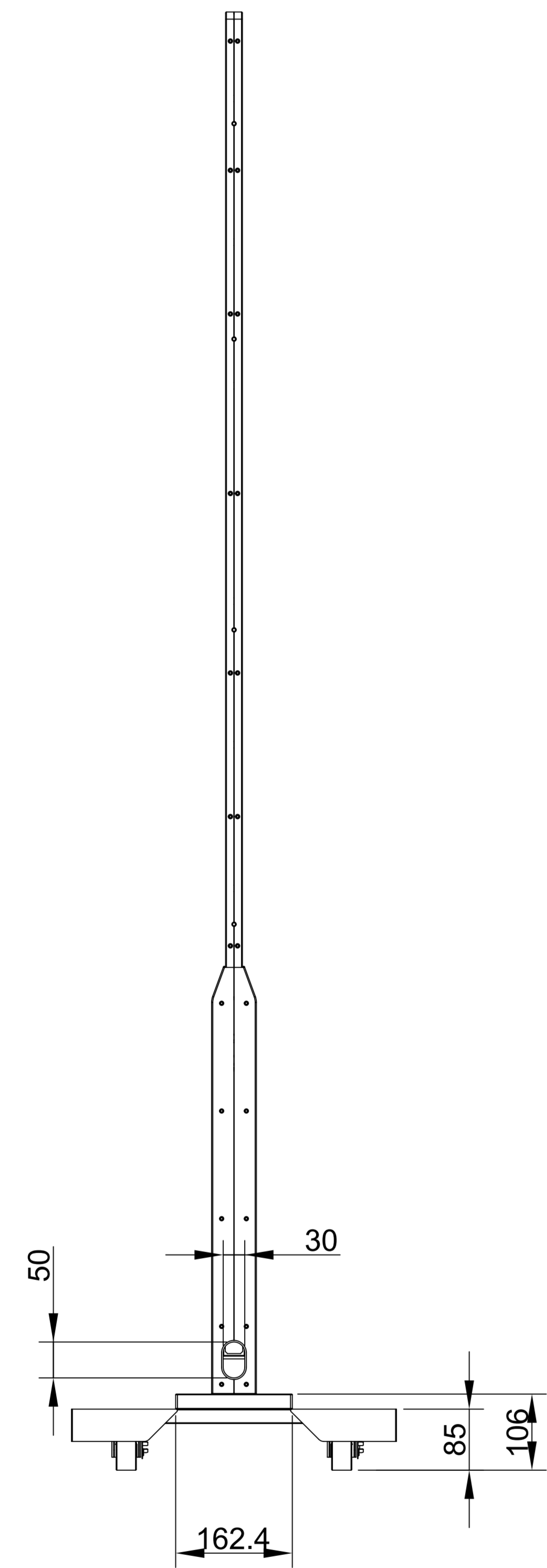
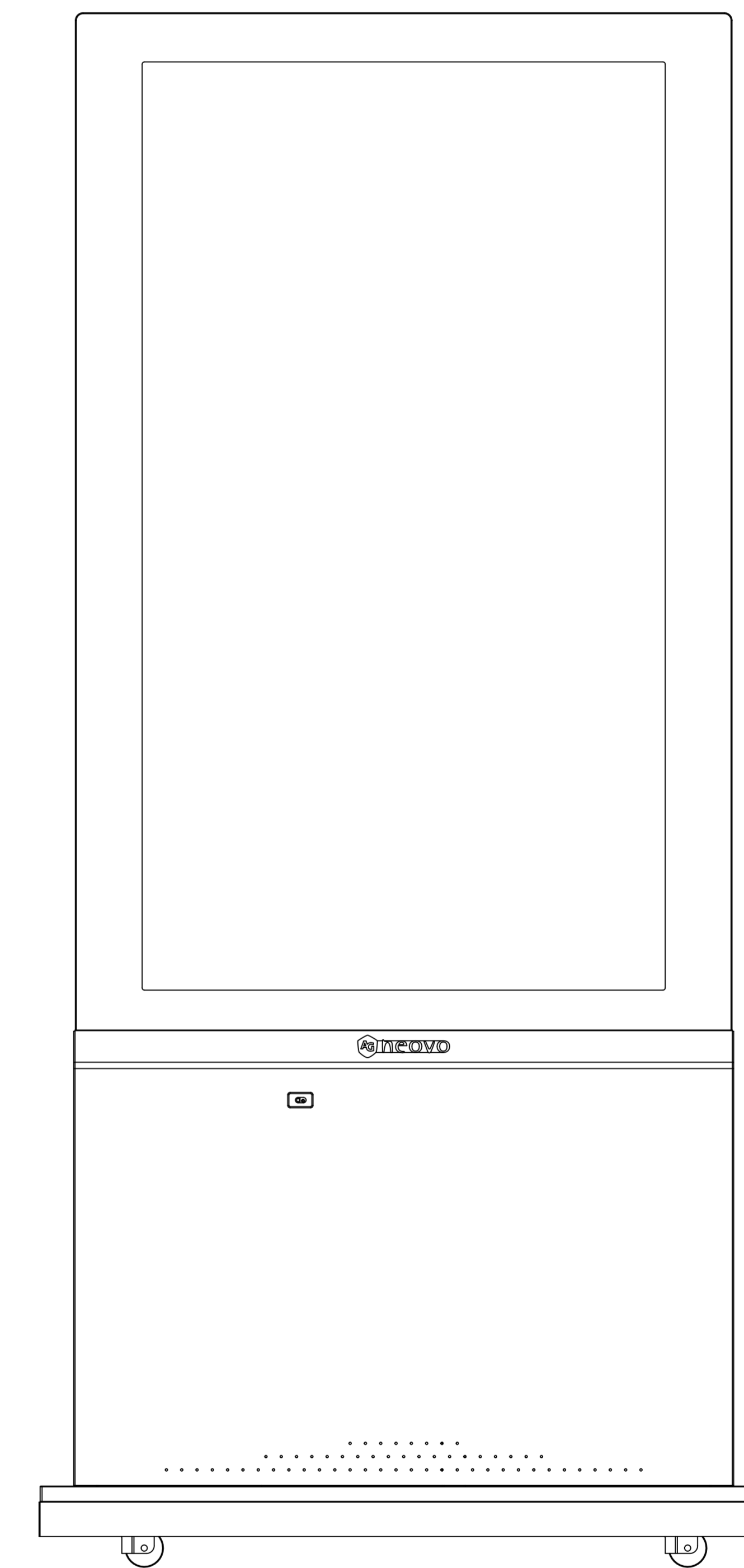
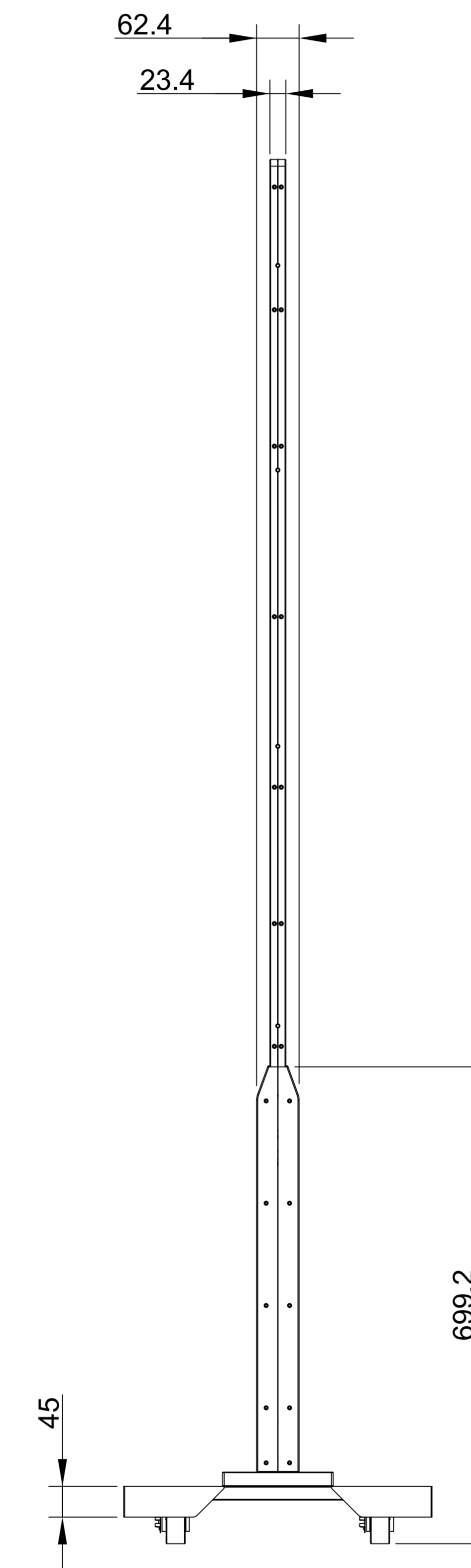
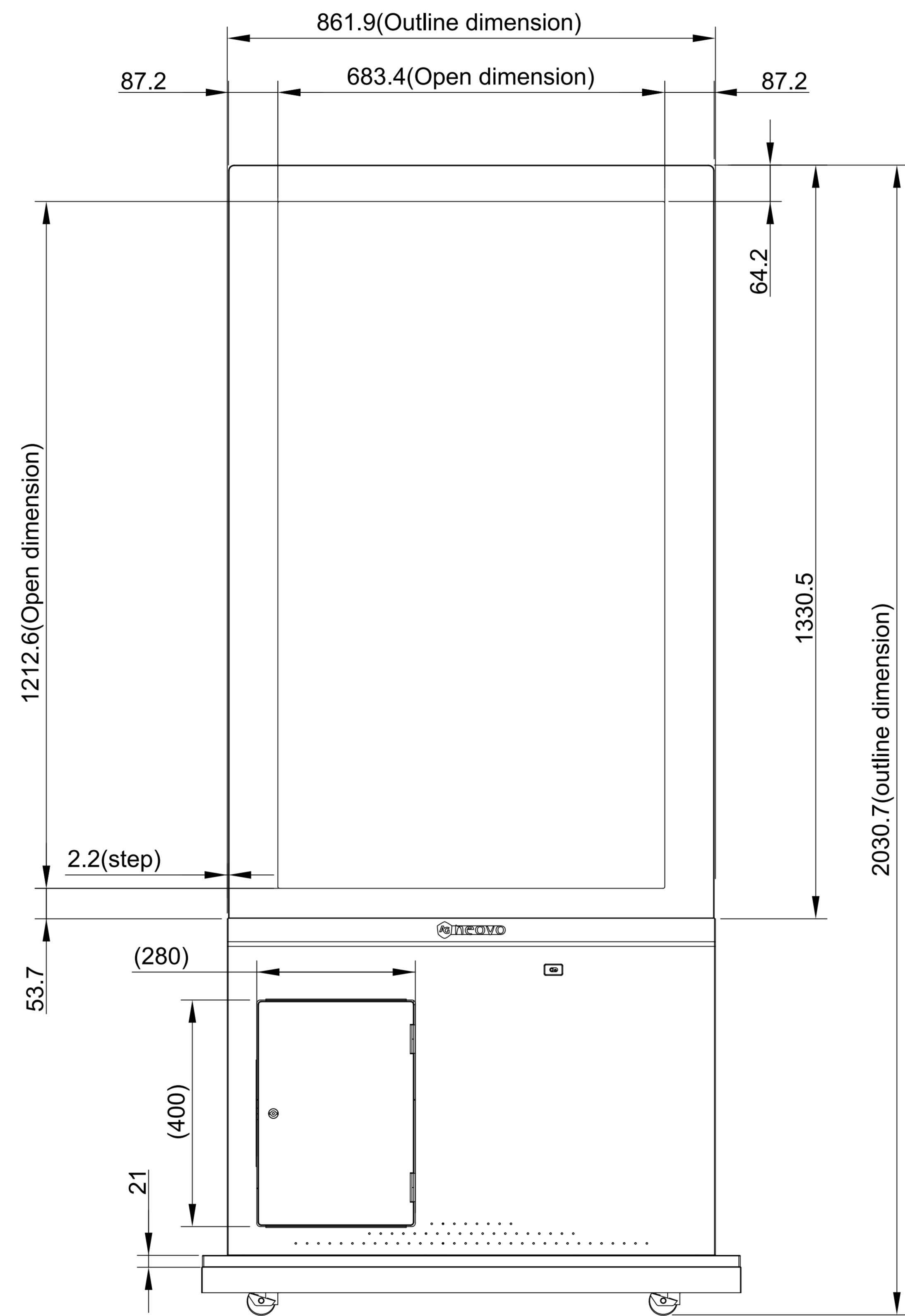


DF-55
Net weight: 94.5kg(with Stand)



SPECIFICATIONS SUBJECT TO CHANGE WITHOUT NOTICE.

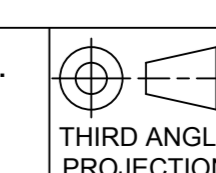


www.agneovo.com

Model Name:

DF-55

THIS DRAWING ON THIS PRINT AND INFORMATION BELONG WITH AG Neovo.
 ANY REPRODUCTION IN PART OR WHOLE WITHOUT WRITTEN PERMISSION
 OF AG Neovo IS PROHIBITED.



P/C:DF55B0

SCALE 1:1 UNITS mm V.1.01