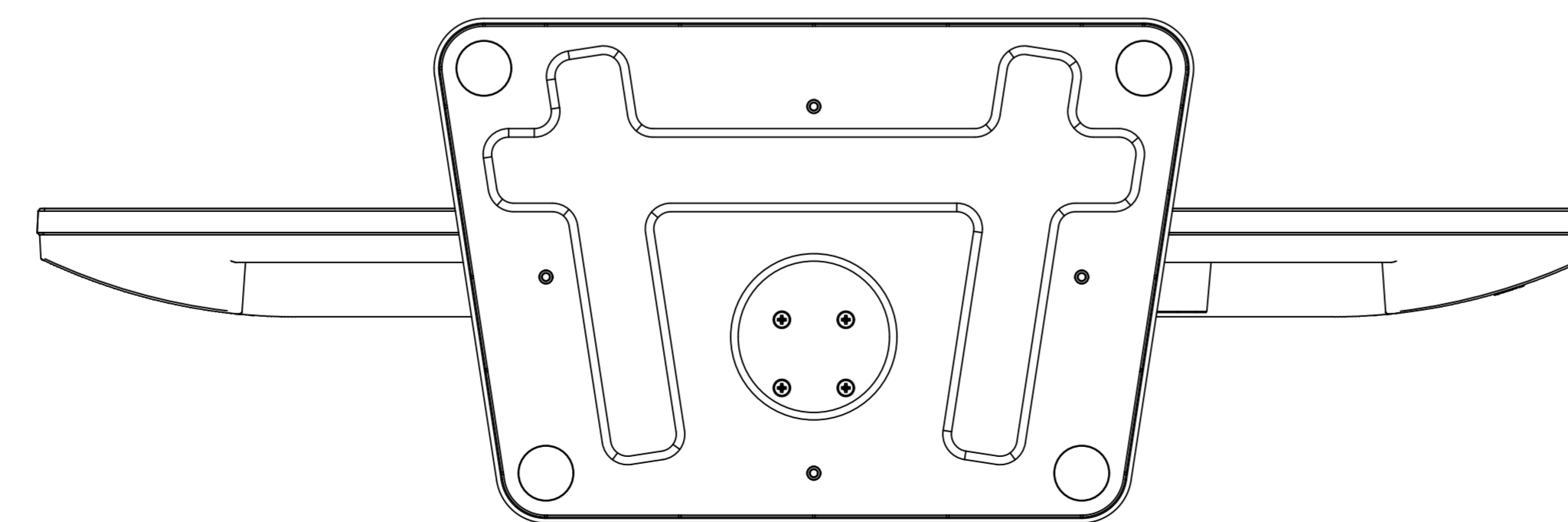
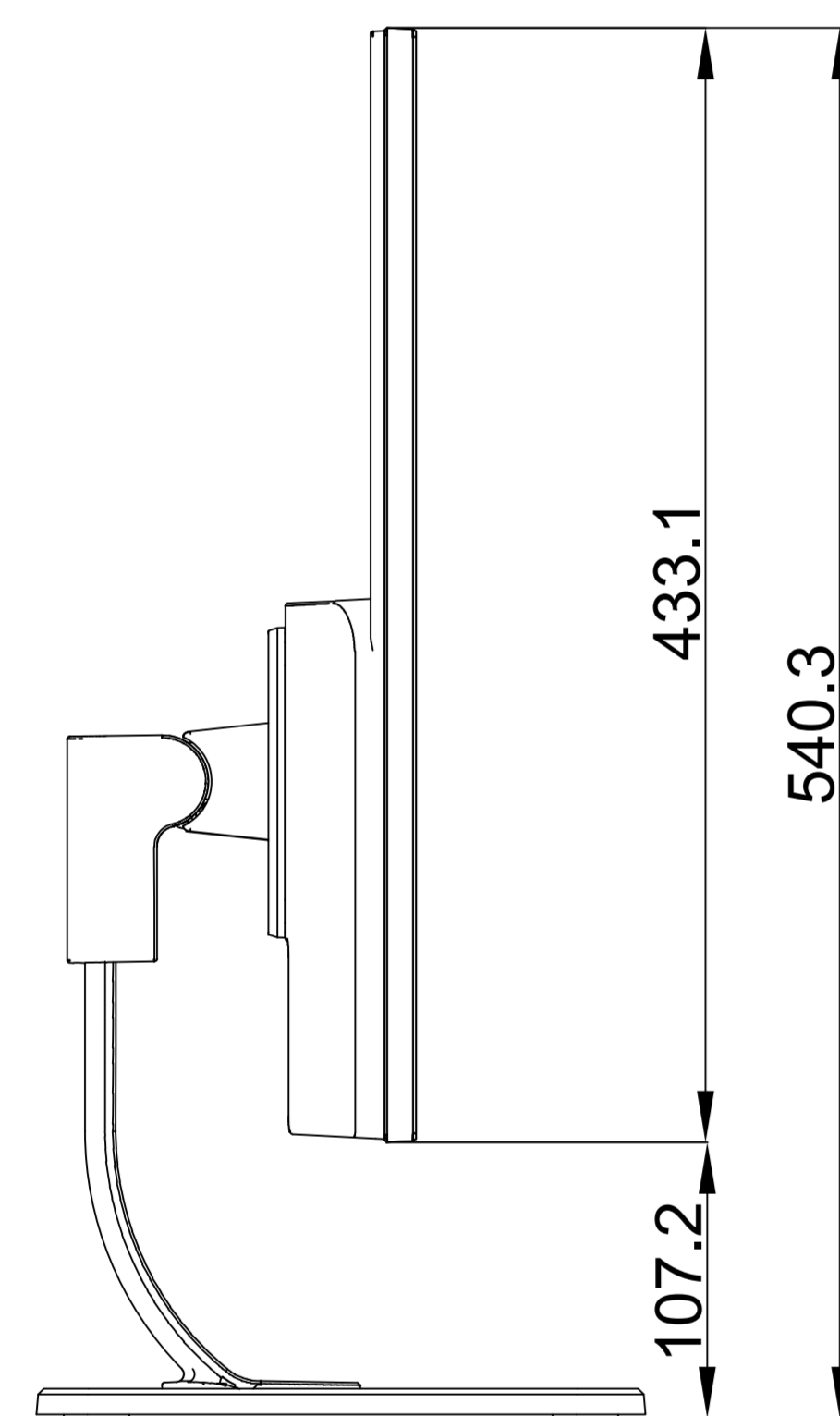
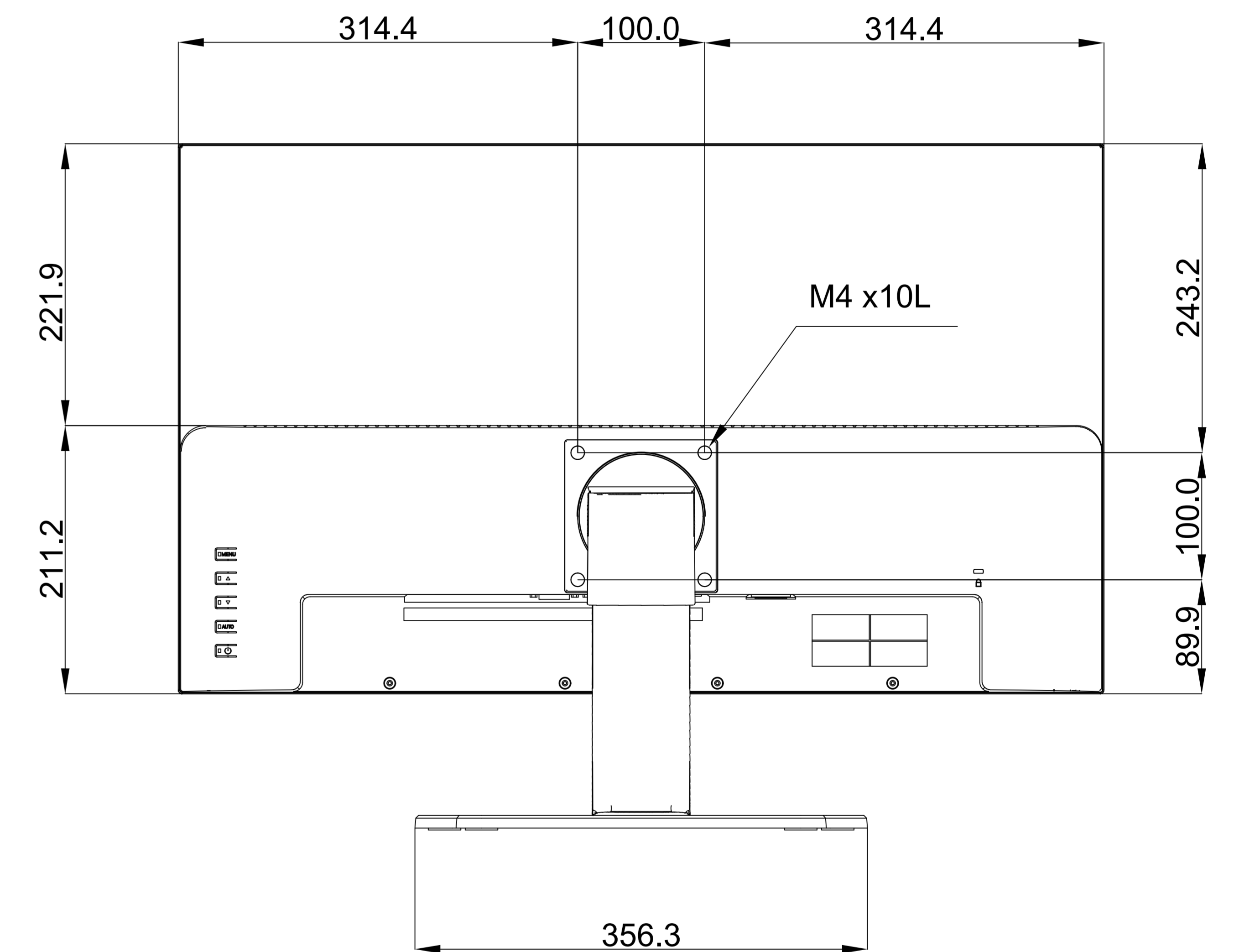
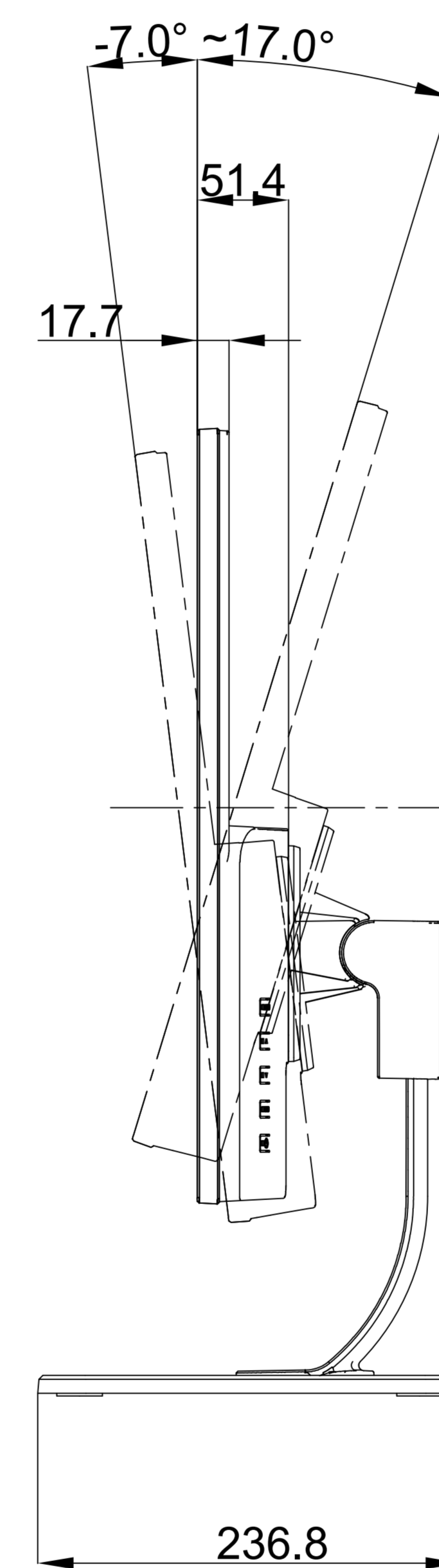
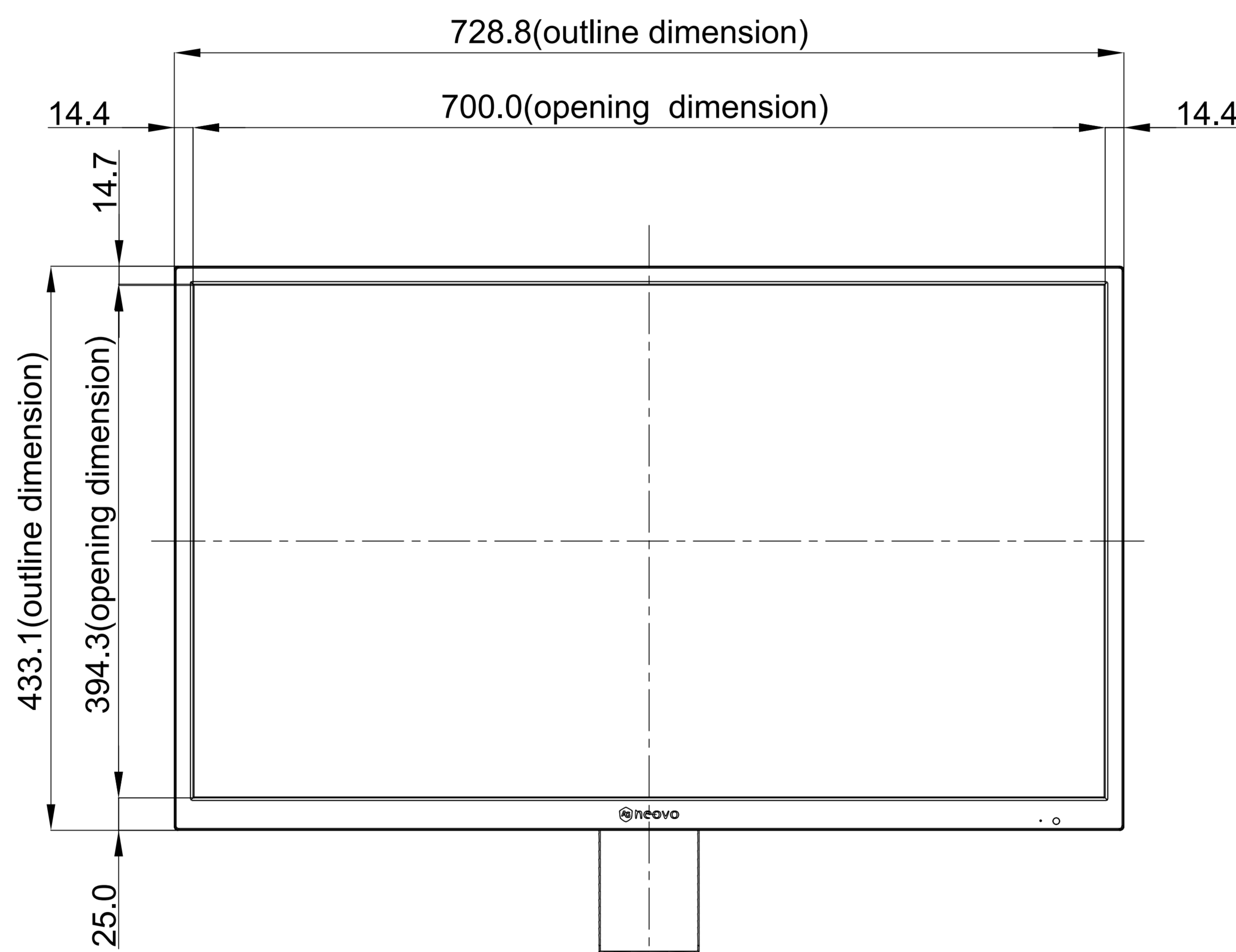
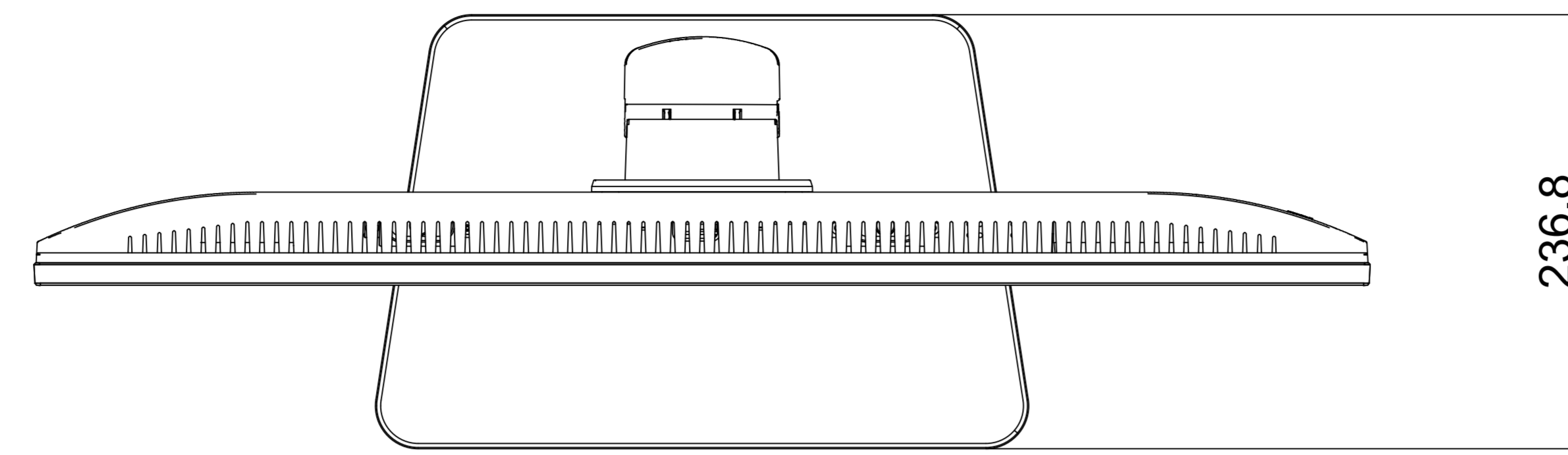


# SC-32E

Net weight : 8.1kg (with stand)  
5.6kg (w/o stand)

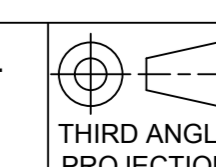


SPECIFICATIONS SUBJECT TO CHANGE WITHOUT NOTICE.



Model Name:  
**SC-32E**

THIS DRAWING ON THIS PRINT AND INFORMATION BELONG WITH AG Neovo.  
ANY REPRODUCTION IN PART OR WHOLE WITHOUT WRITTEN PERMISSION  
OF AG Neovo IS PROHIBITED.



P/C : S32E00  
SCALE 1:1 UNITS mm V.1.02