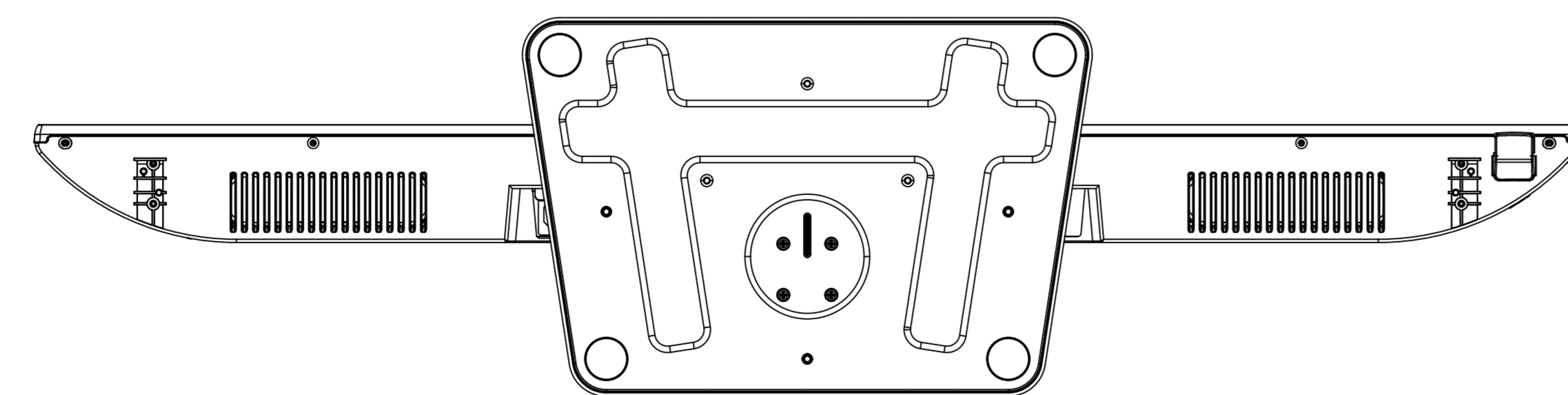
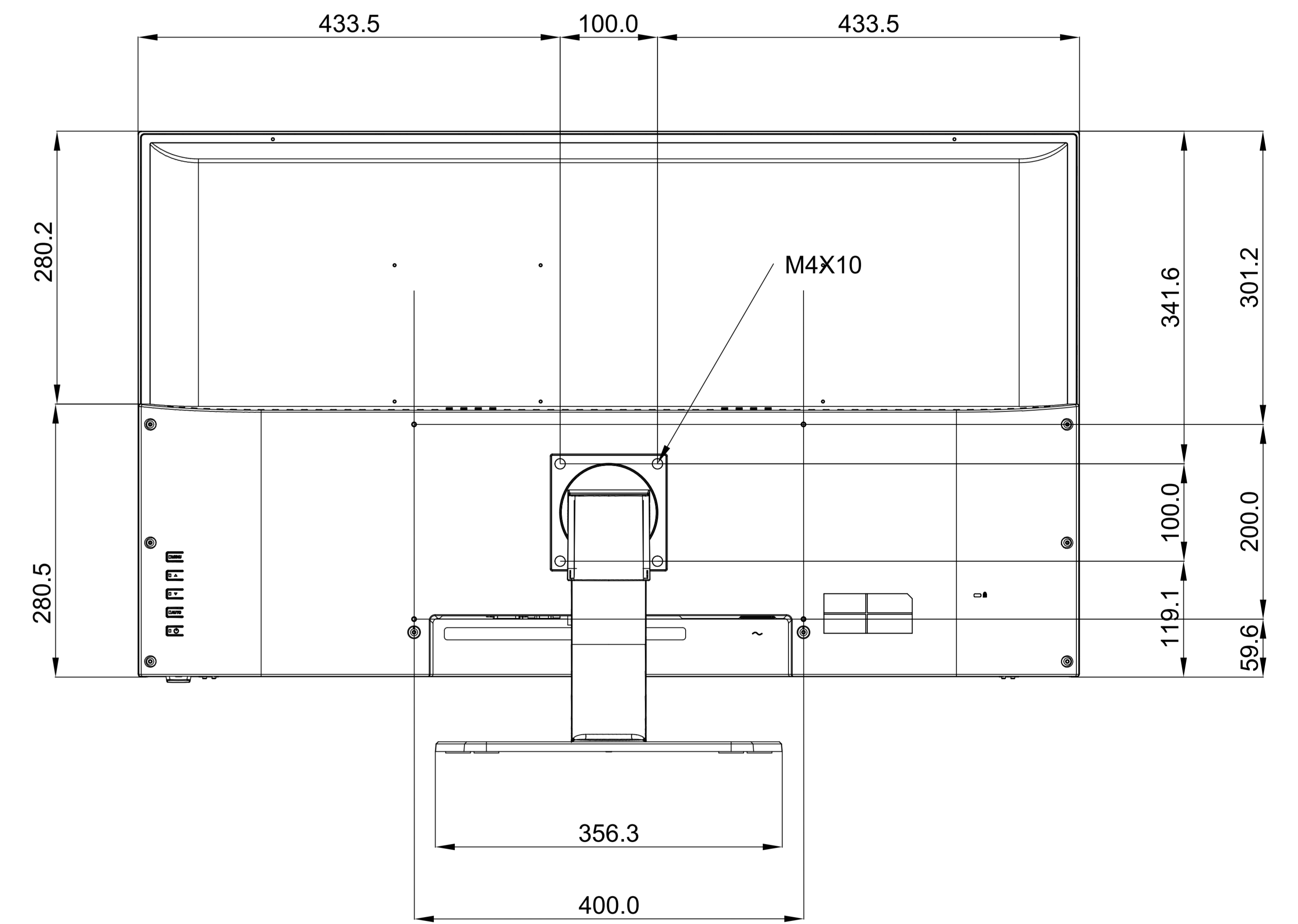
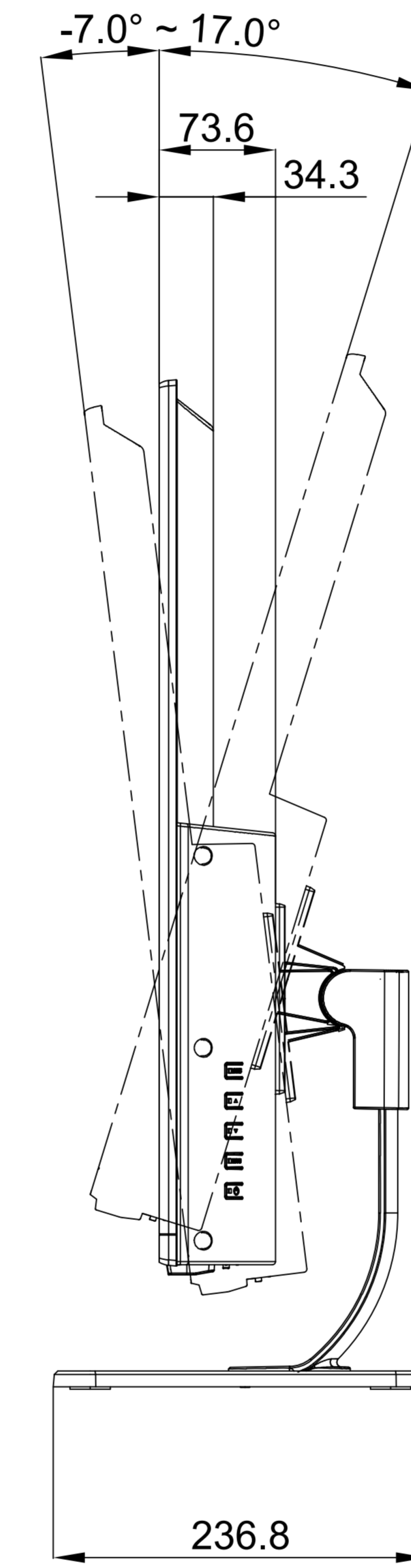
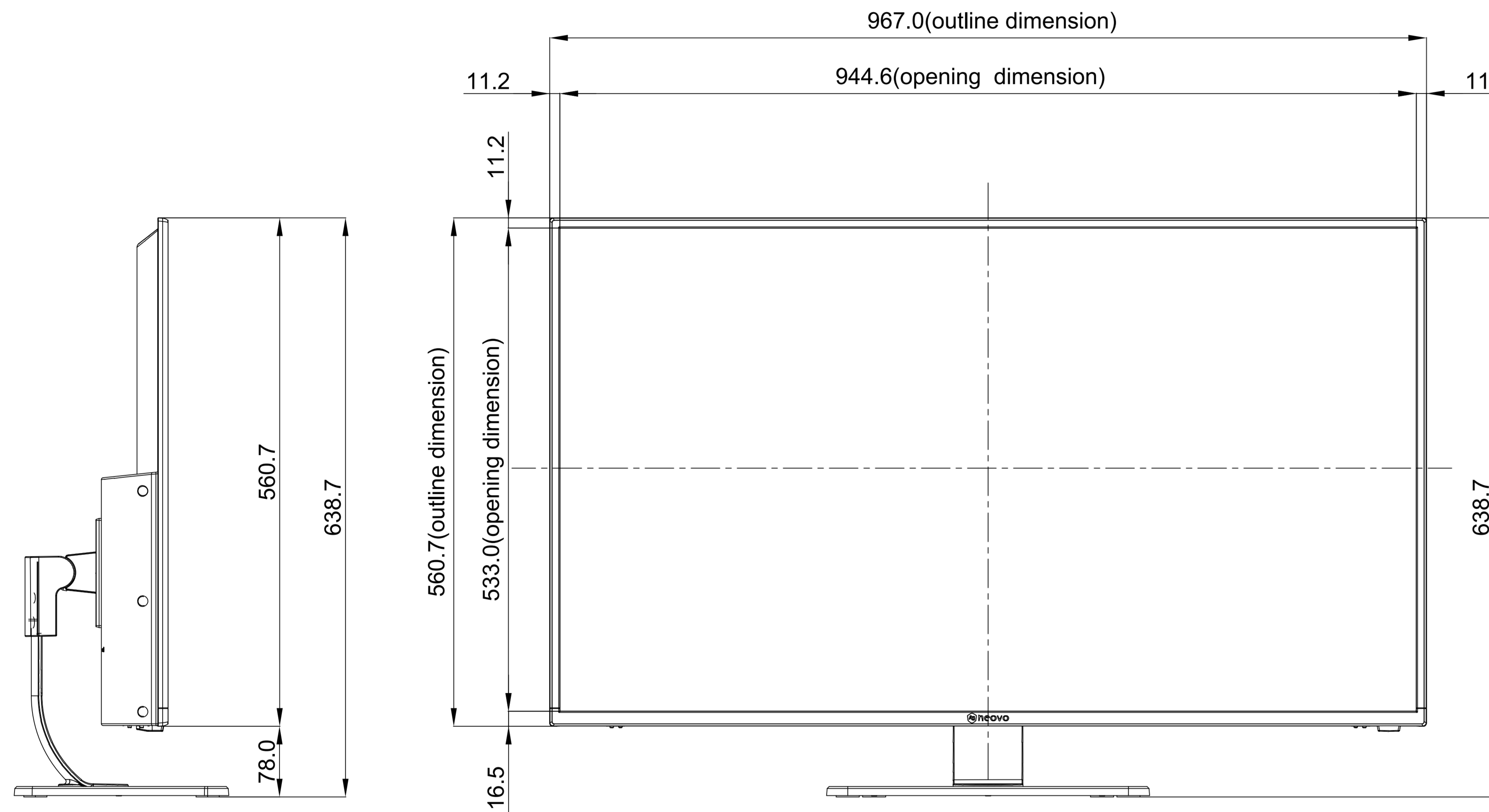


**SC-42E**  
 Net weight : 10.6kg (with stand)  
 8.1 kg (w/o stand)



SPECIFICATIONS SUBJECT TO CHANGE WITHOUT NOTICE.

**AG neovo**  
 www.agneovo.com

Model Name:  
**SC-42E**

THIS DRAWING ON THIS PRINT AND INFORMATION BELONG WITH AG Neovo.  
 ANY REPRODUCTION IN PART OR WHOLE WITHOUT WRITTEN PERMISSION  
 OF AG Neovo IS PROHIBITED.

THIRD ANGLE PROJECTION  
 P/C:S42E00  
 SCALE 1:1 UNITS mm V.1.02