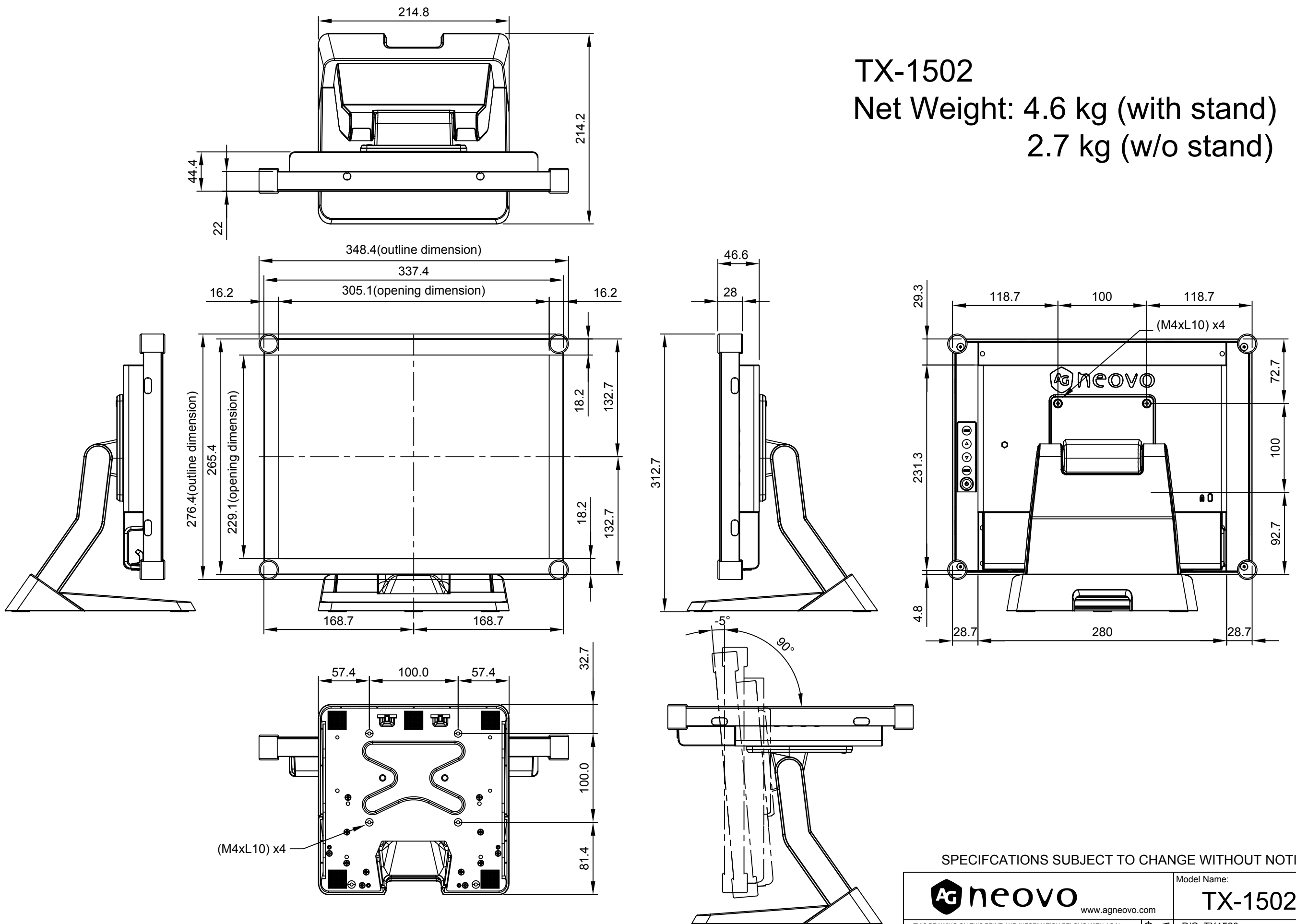


TX-1502

Net Weight: 4.6 kg (with stand)
2.7 kg (w/o stand)



SPECIFICATIONS SUBJECT TO CHANGE WITHOUT NOTICE.

| | | |
|---|---------------------------------------|-------------|
|  www.agneovo.com | Model Name: | |
| | TX-1502 | |
| <small>THIS DRAWING ON THIS PRINT AND INFORMATION BELONG WITH AG Neovo. ANY REPRODUCTION IN PART OR WHOLE WITHOUT WRITTEN PERMISSION OF AG Neovo IS PROHIBITED.</small> | <small>THIRD ANGLE PROJECTION</small> | P/C: TX1520 |
| SCALE | 1:1 | UNITS mm |
| | | V1.00 |