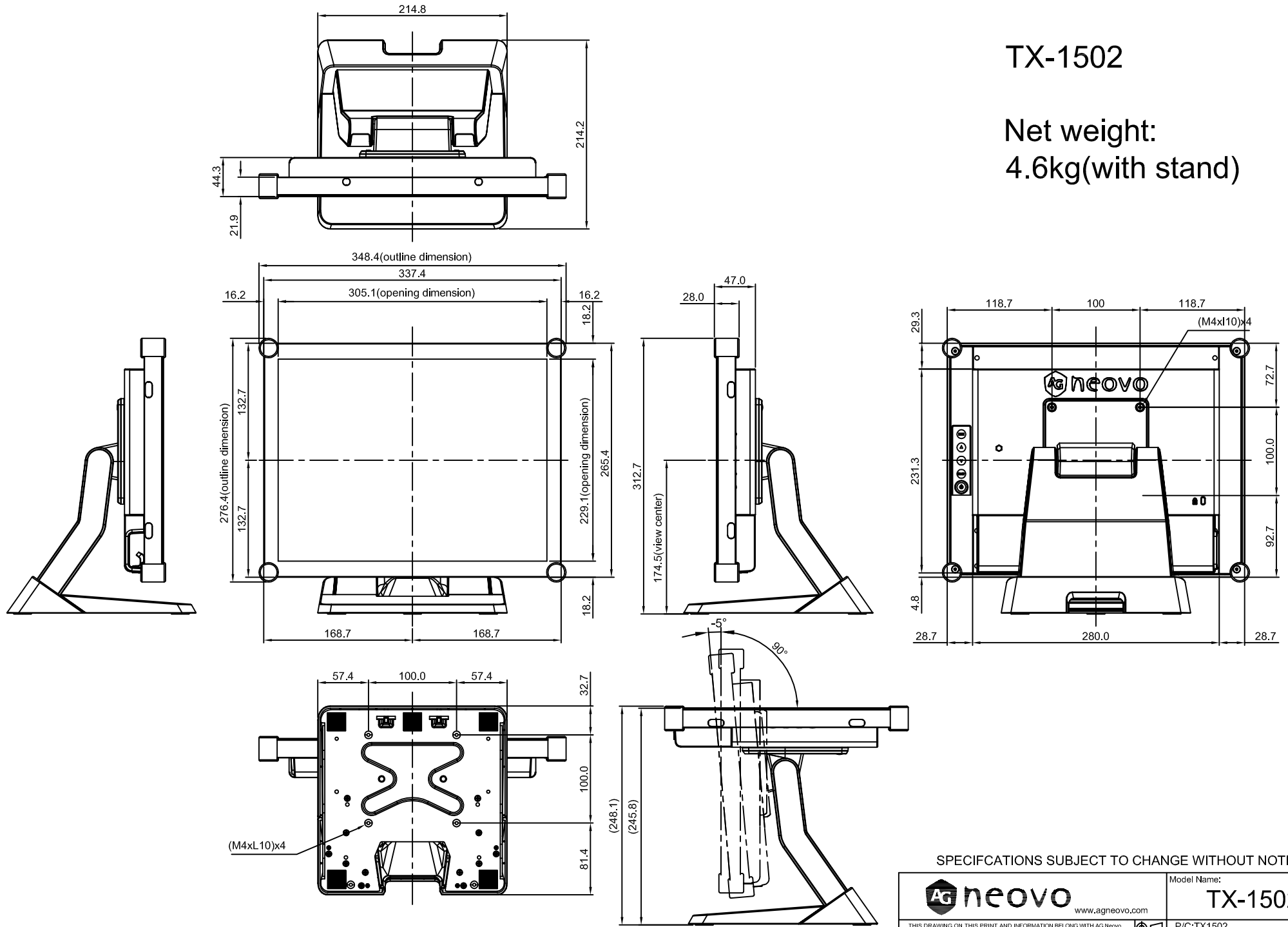


# TX-1502

Net weight:  
4.6kg(with stand)

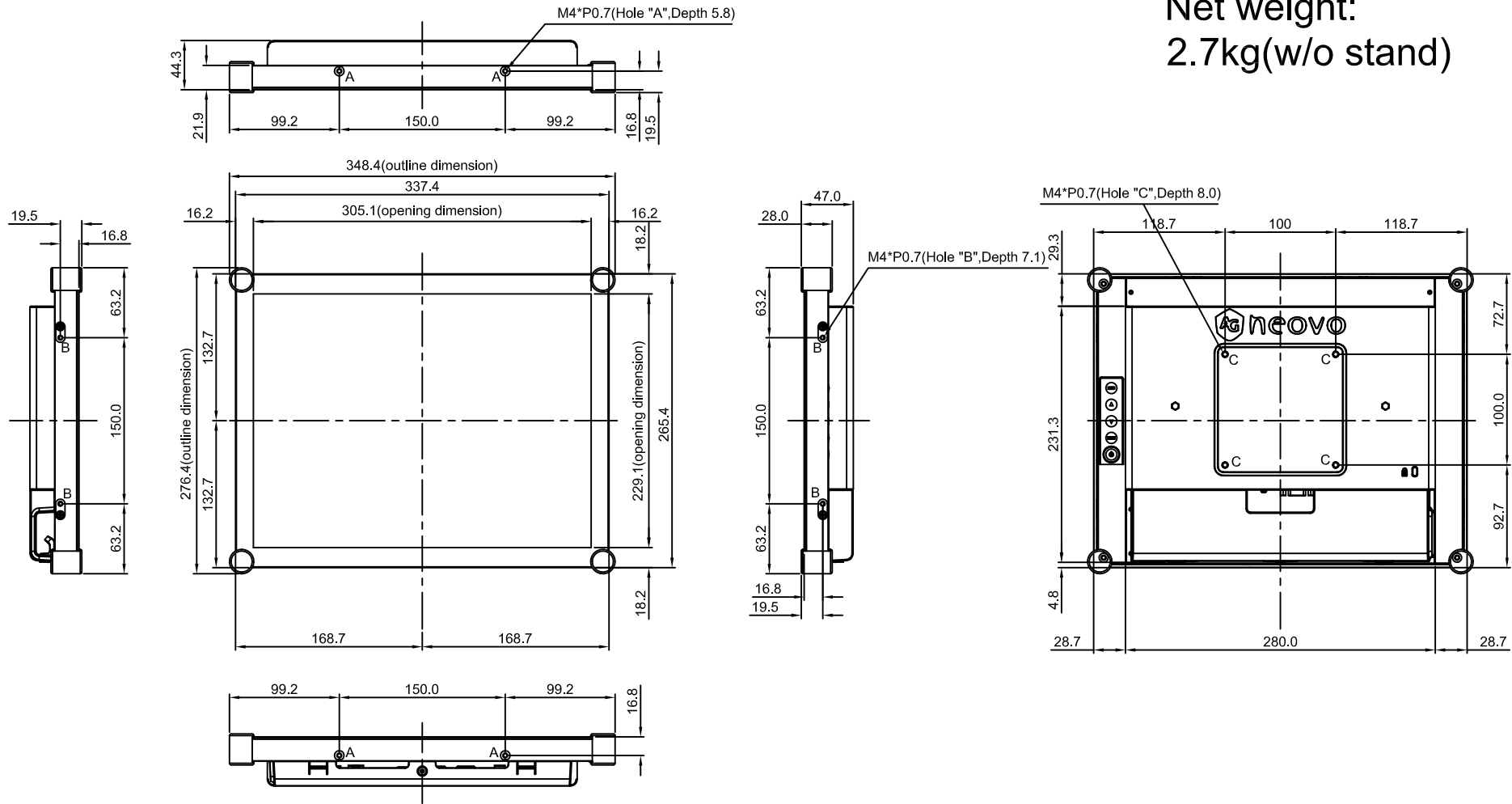


SPECIFICATIONS SUBJECT TO CHANGE WITHOUT NOTICE.

 www.agneovo.com	Model Name:	TX-1502
	<small>THIS DRAWING ON THIS PRINT AND INFORMATION BELONGS WITH AG Neovo. ANY REPRODUCTION IN PART OR WHOLE WITHOUT WRITTEN PERMISSION OF AG Neovo IS PROHIBITED.</small>	<small>MECHANICAL PRODUCTION</small>

# TX-1502

Net weight:  
2.7kg(w/o stand)



SPECIFICATIONS SUBJECT TO CHANGE WITHOUT NOTICE.

 www.agneovo.com	Model Name:	
	TX-1502	
<small>THIS DRAWING ON THIS PRINT AND INFORMATION BELONG WITH AG Neovo. ANY REPRODUCTION IN PART OR WHOLE WITHOUT WRITTEN PERMISSION OF AG Neovo IS PROHIBITED.</small>	 P/C:TX1502	<small>SCALE   1:1   UNITS   mm   V.1.01</small>