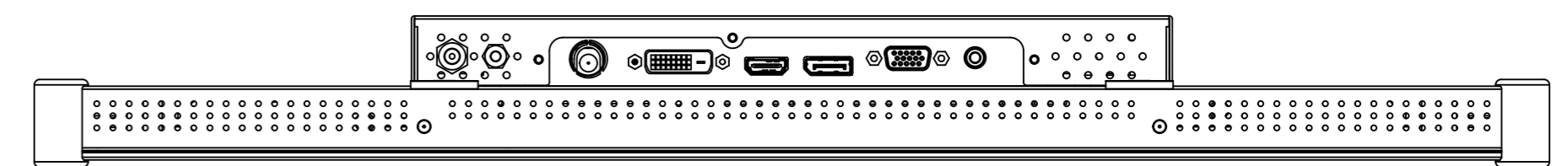
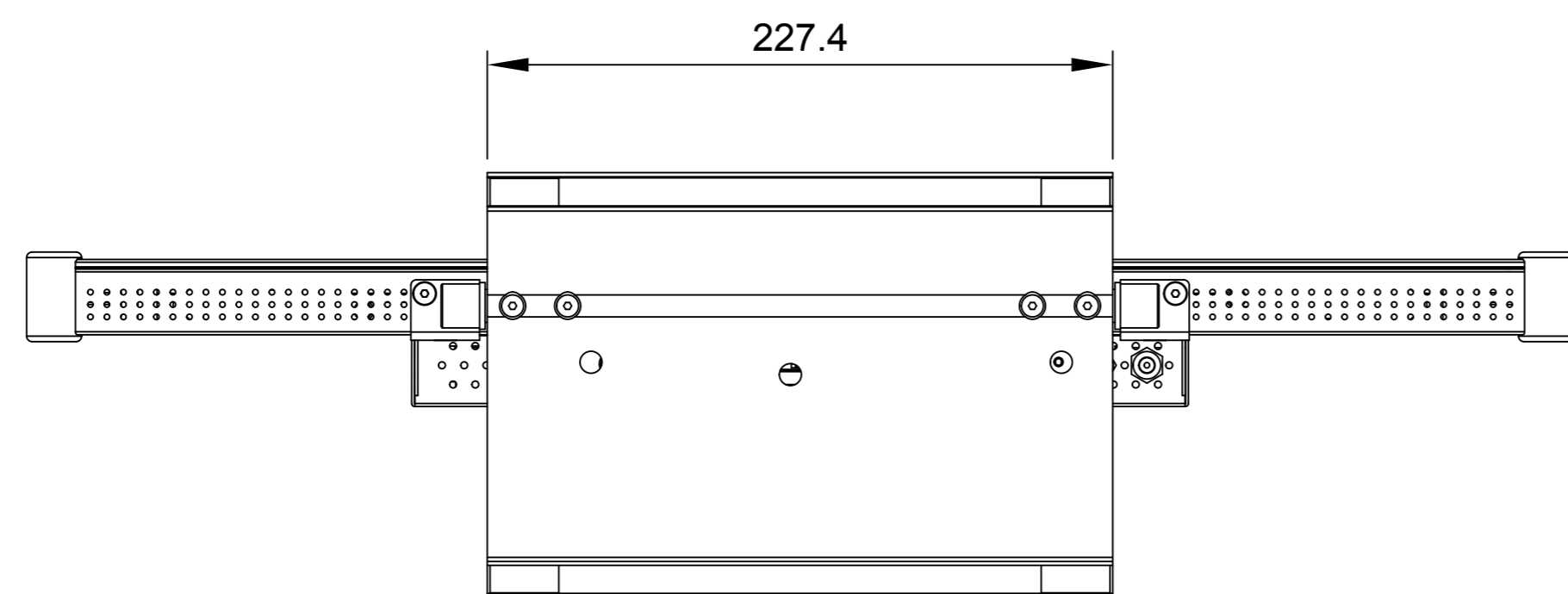
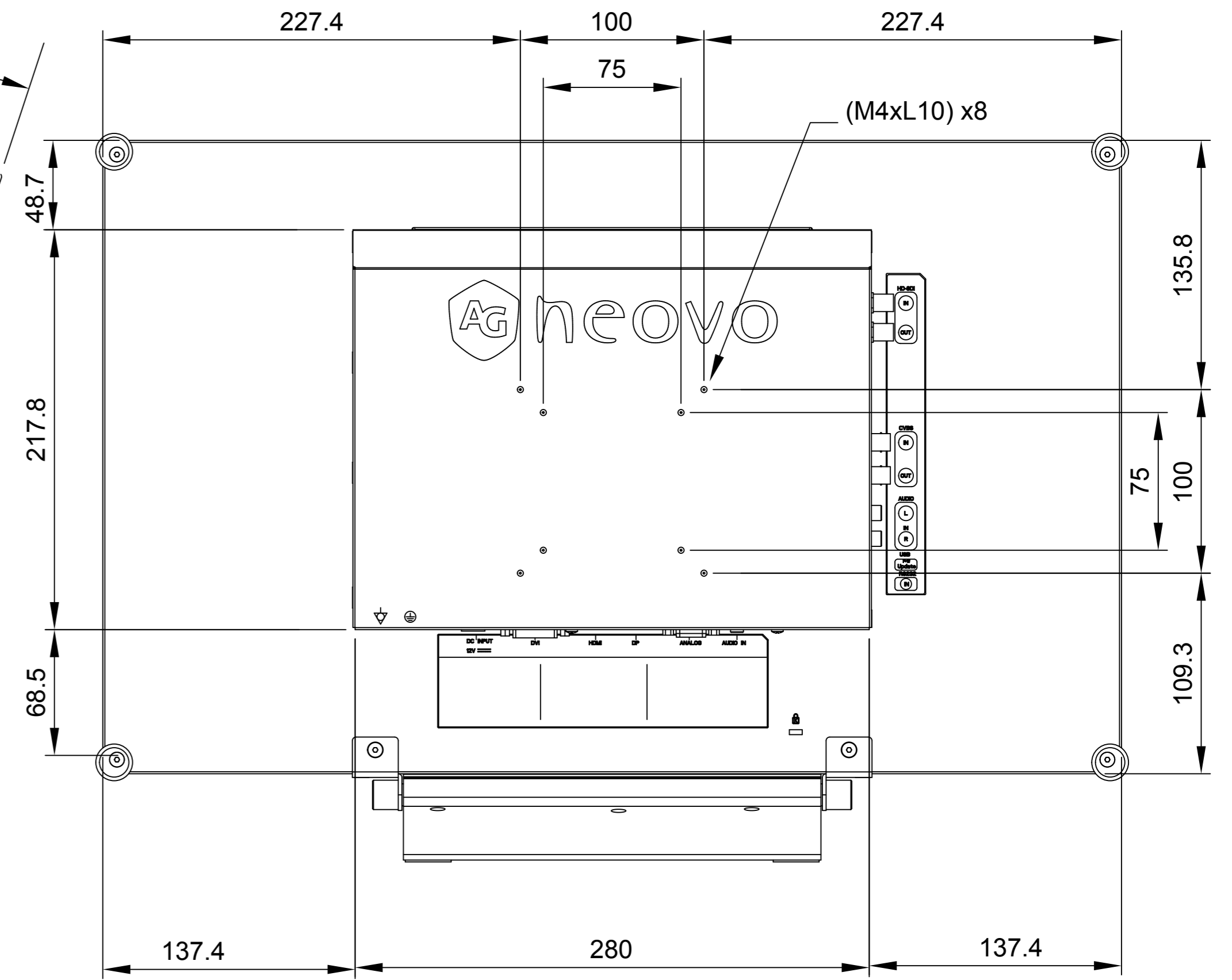
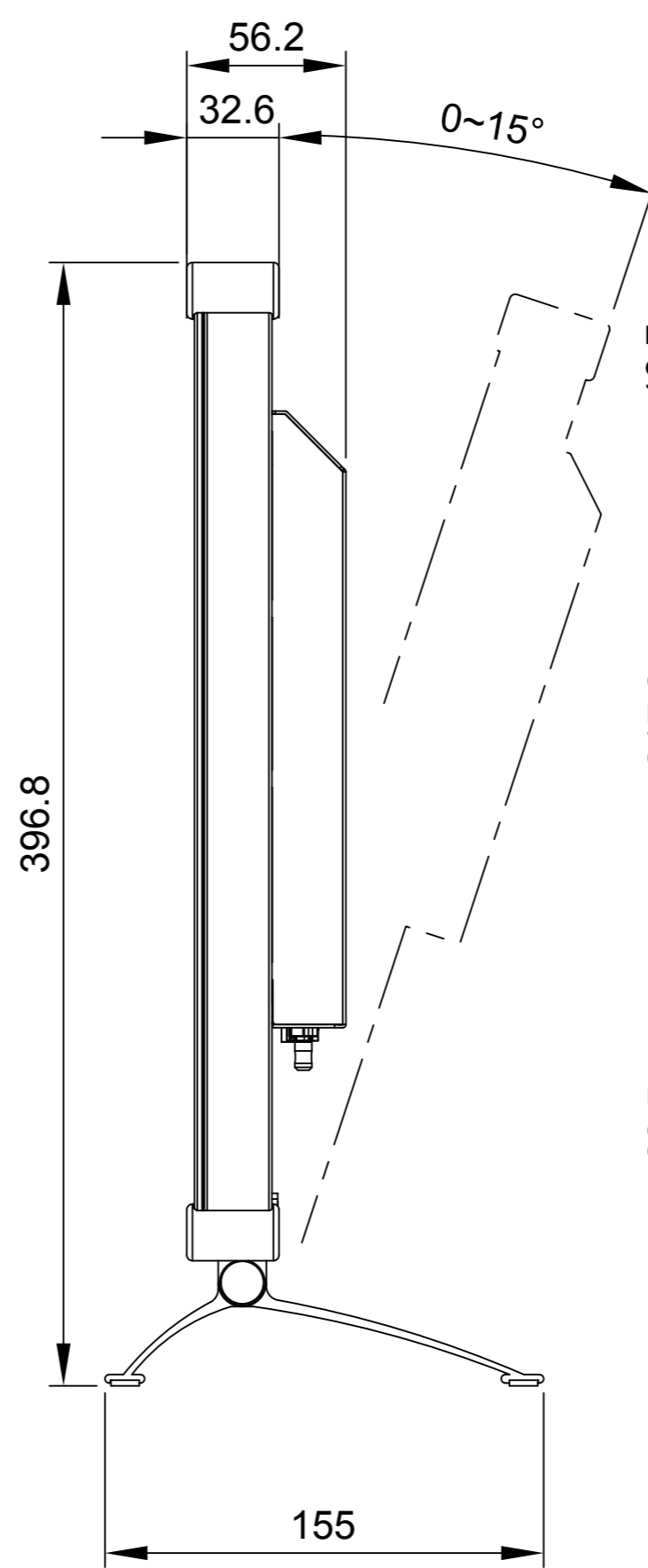
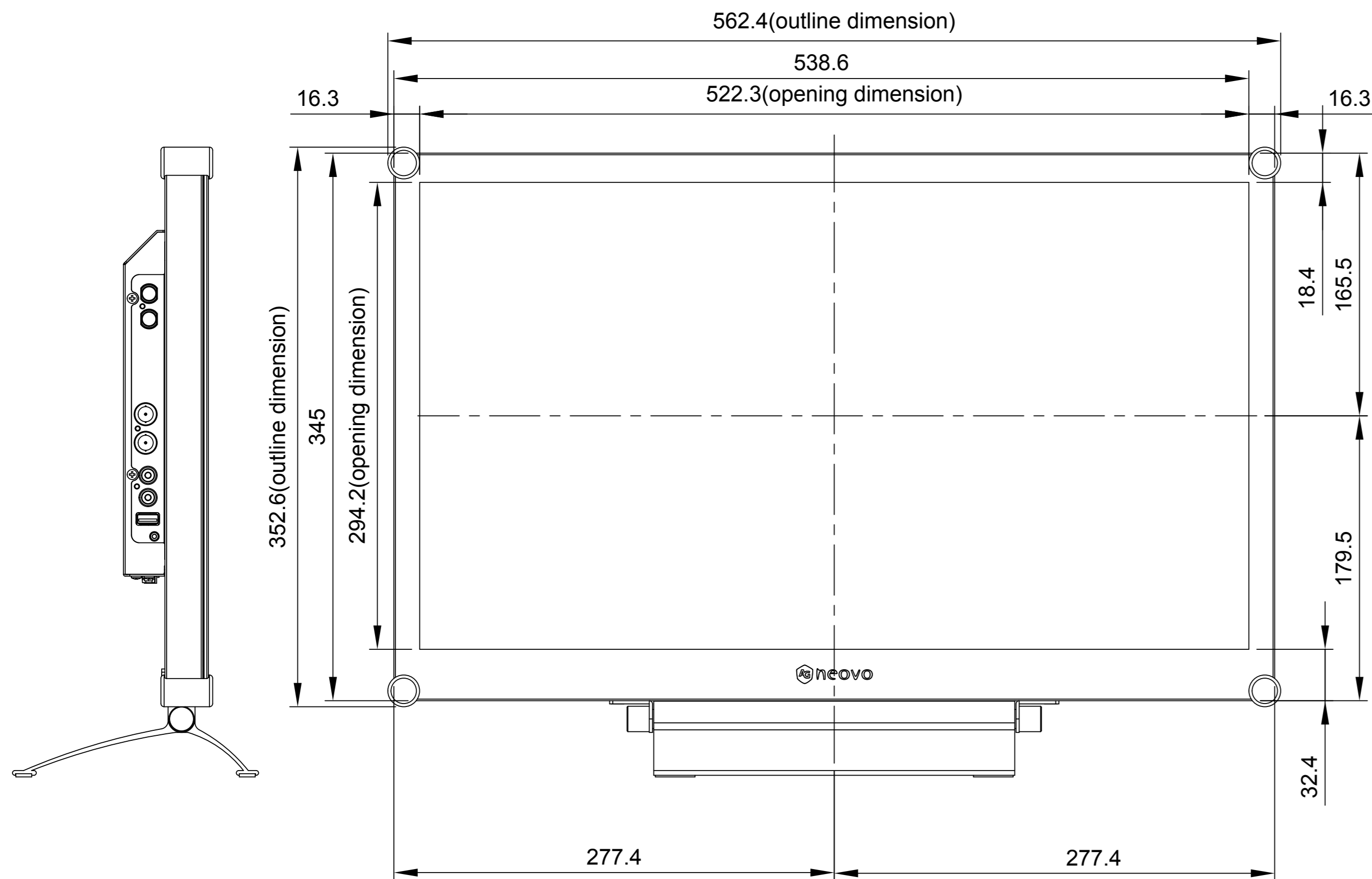
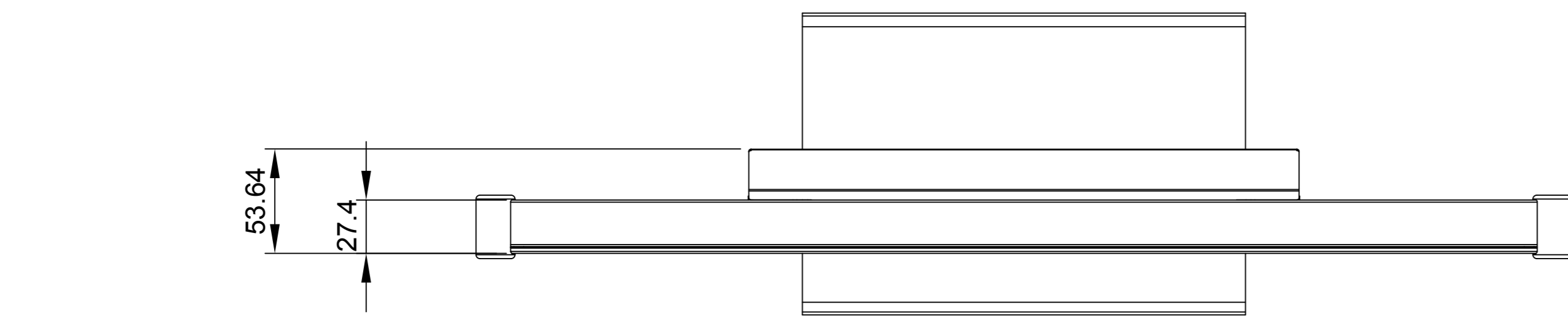


HX-24

Net weight : 7.9kg (with Stand)

7.3kg (w/o Stand)



SPECIFICATIONS SUBJECT TO CHANGE WITHOUT NOTICE.

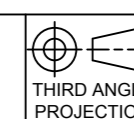


www.agneovo.com

Model Name:

HX-24

THIS DRAWING ON THIS PRINT AND INFORMATION BELONG WITH AG Neovo. ANY REPRODUCTION IN PART OR WHOLE WITHOUT WRITTEN PERMISSION OF AG Neovo IS PROHIBITED.



P/C:HX4E00

SCALE 1:1 UNITS mm V.1.02