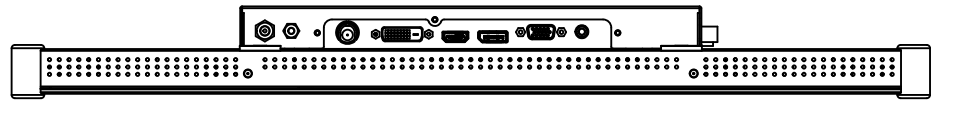
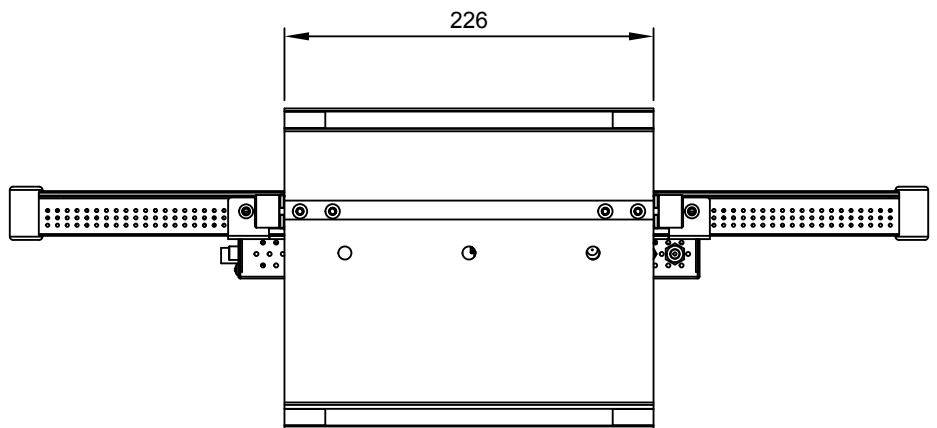
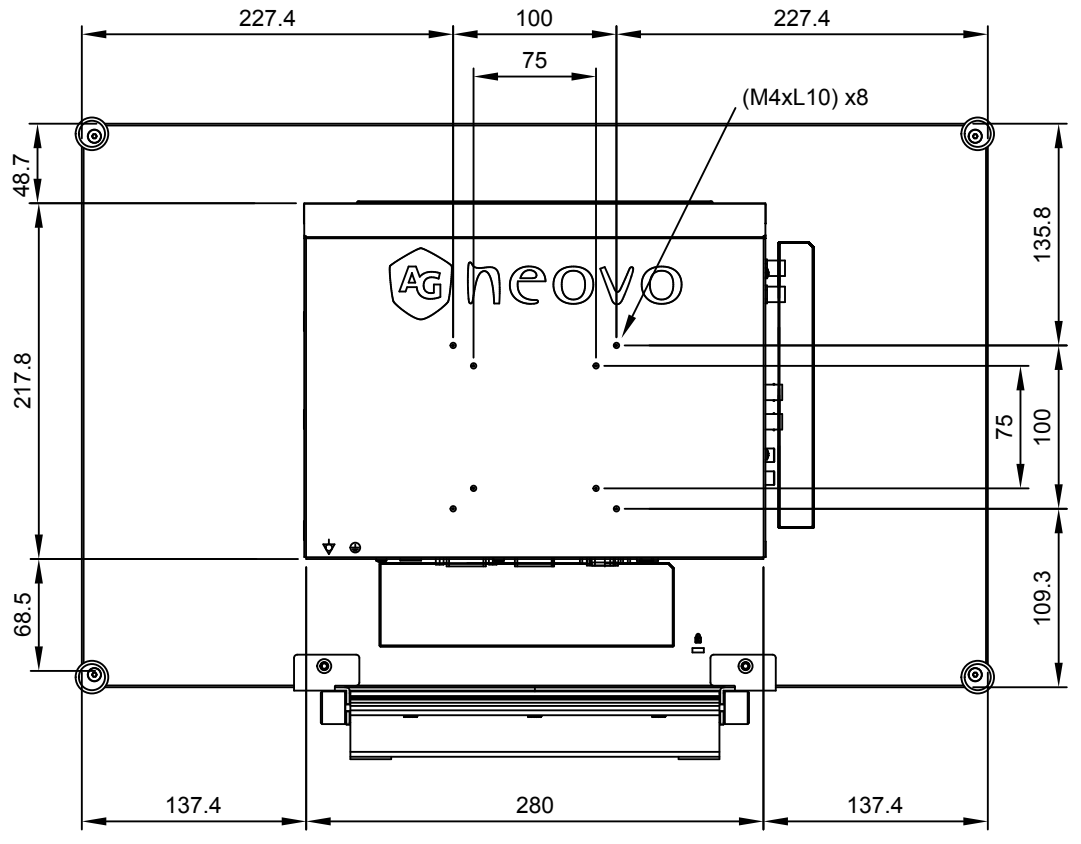
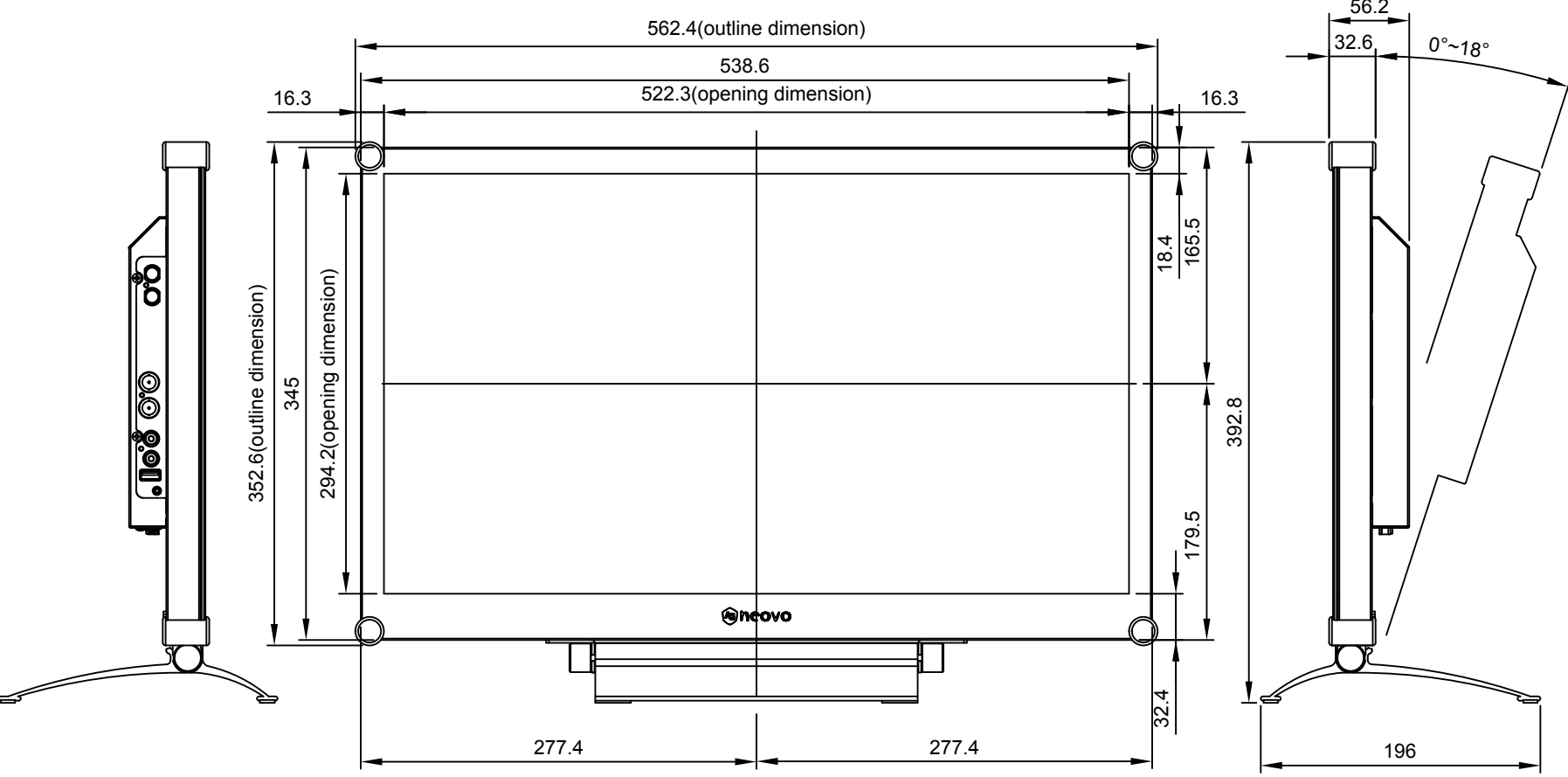
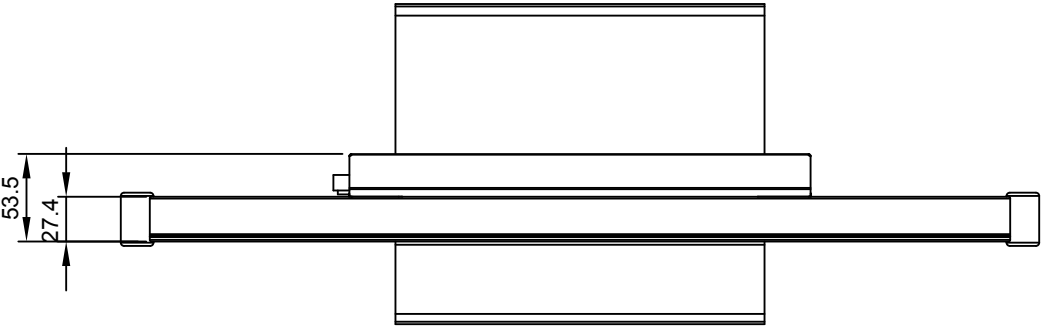



HX-24G

Net weight : 8.1kg (with Stand)

7.3kg (w/o Stand)



SPECIFICATIONS SUBJECT TO CHANGE WITHOUT NOTICE.

| | | |
|---|---|---------------------------|
|  www.agneovo.com | Model Name: | HX-24G |
| | <small>THIS DRAWING ON THIS PRINT AND INFORMATION BELONG WITH AG Neovo. ANY REPRODUCTION IN PART OR WHOLE WITHOUT WRITTEN PERMISSION OF AG Neovo IS PROHIBITED.</small> | <small>P/C:HX4G00</small> |