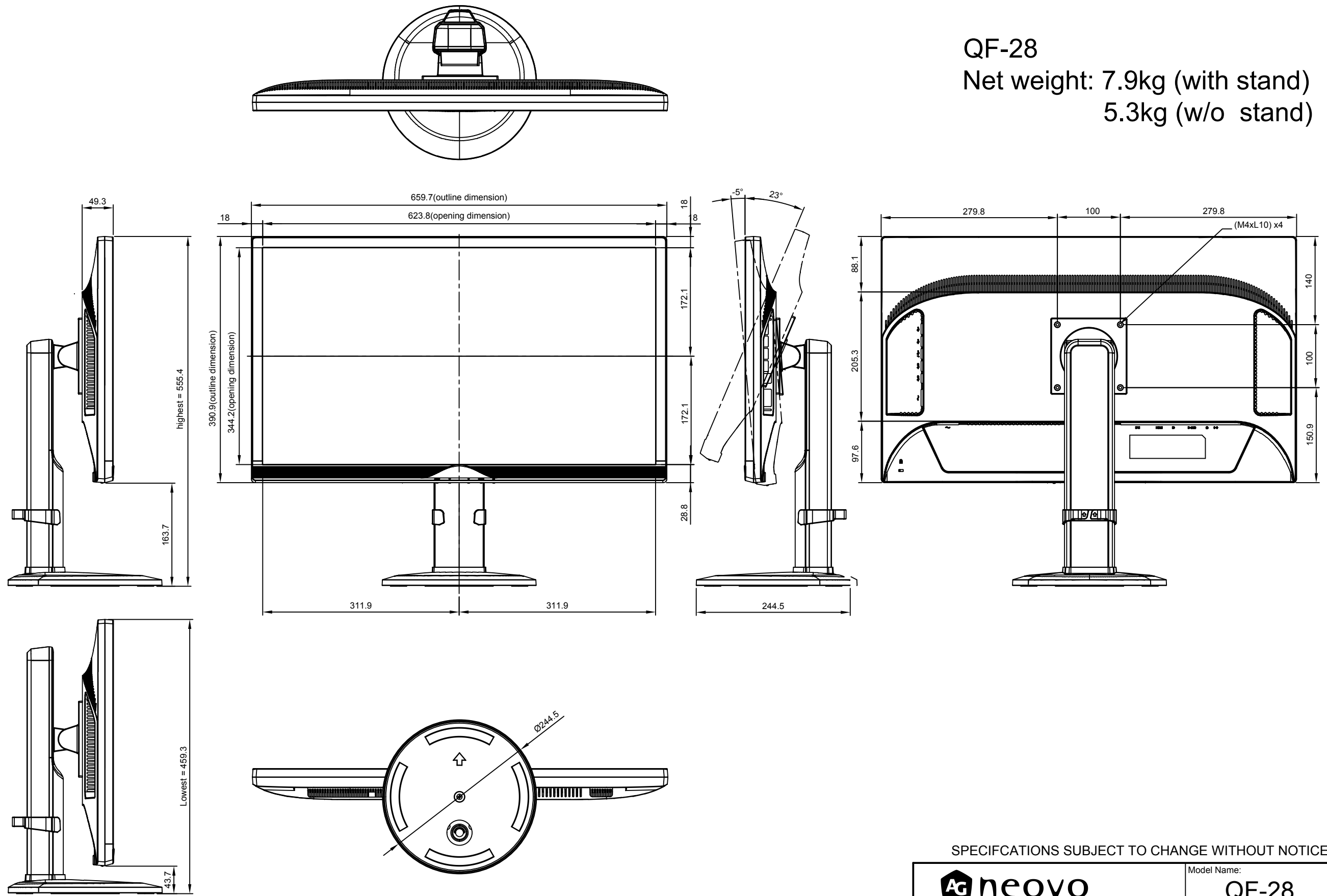


# QF-28

Net weight: 7.9kg (with stand)  
5.3kg (w/o stand)



SPECIFICATIONS SUBJECT TO CHANGE WITHOUT NOTICE.

 www.agneovo.com	Model Name:
	<b>QF-28</b>
<small>THIS DRAWING ON THIS PRINT AND INFORMATION BELONG WITH AG Neovo. ANY REPRODUCTION IN PART OR WHOLE WITHOUT WRITTEN PERMISSION OF AG Neovo IS PROHIBITED.</small>	<small>P/C: QF28A0</small>
<small>THIRD ANGLE PROJECTION</small>	<small>SCALE 1:1 UNITS mm V.1.02</small>