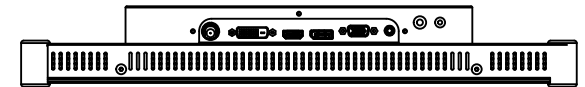
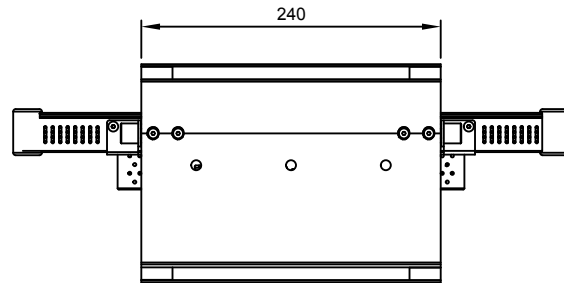
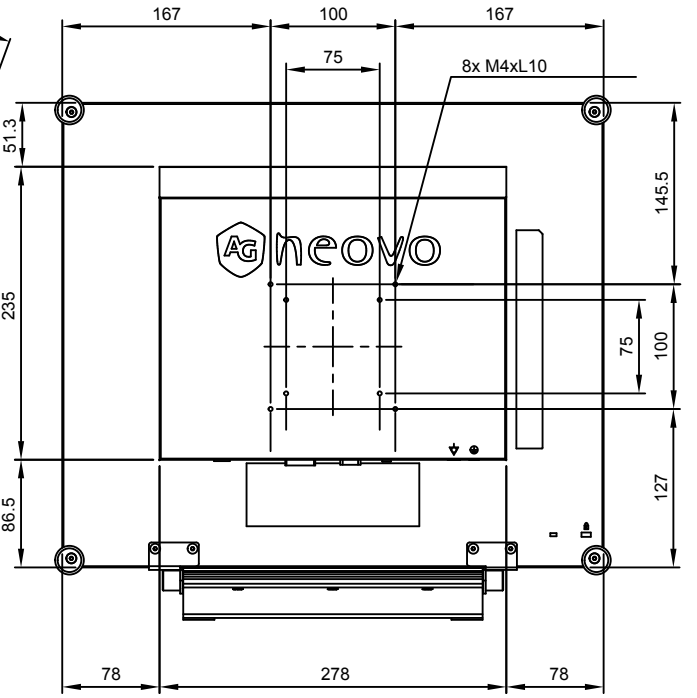
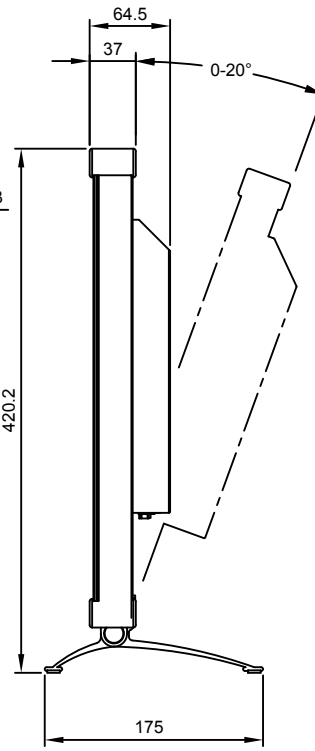
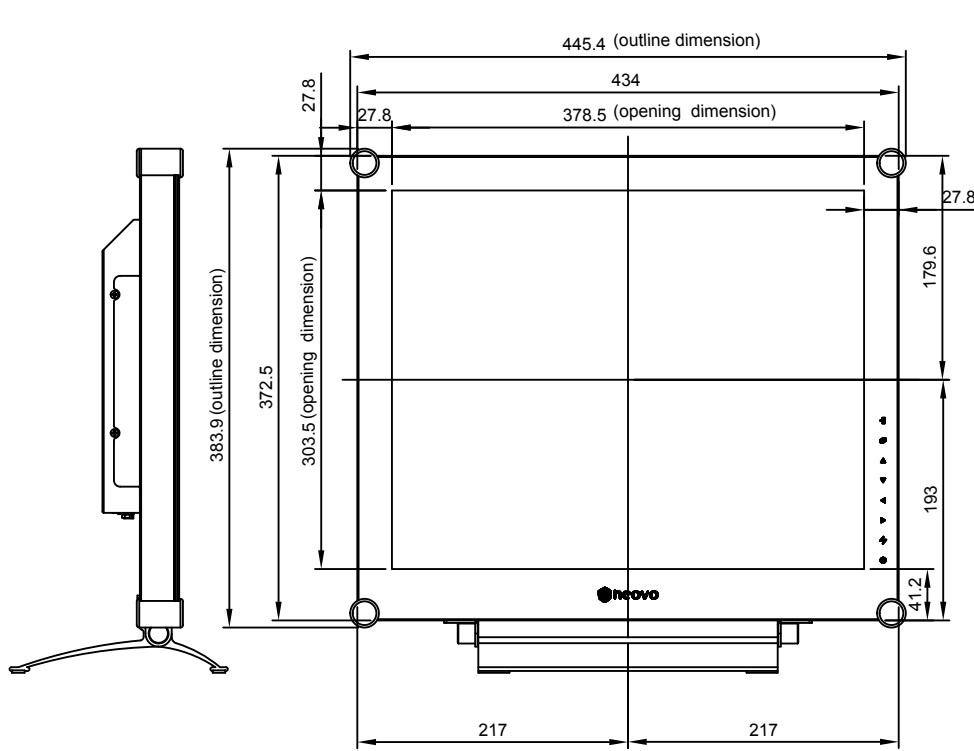




X-19E

Net weight: 6.8kg (with Stand)
6.0KG (w/o Stand)



SPECIFICATIONS SUBJECT TO CHANGE WITHOUT NOTICE.

 www.agneovo.com	Model Name:
	X-19E
<small>THIS DRAWING ON THIS PRINT AND INFORMATION BELONG WITH AG Neovo. ANY REPRODUCTION IN PART OR WHOLE WITHOUT WRITTEN PERMISSION OF AG Neovo IS PROHIBITED.</small>	<small>P/C: X19E00</small> <small>SCALE 1:1 UNITS mm V.1.03</small>