

FS-Series LCD Monitor 24" | 27"



Borderless Displays With Ergonomic Stand for Seamless Multi-monitor Setup

The FS-Series 3-sided narrow bezel monitors for home, office, and workplace are designed for multi-display setups. A fully adjustable ergonomic stand with VESA mount provides unlimited installation options. Full HD screen resolution and 20,000,000:1 dynamic contrast ratio provide exceptional viewing clarity, while built-in blue-light filter and flicker-free display technologies increase eye comfort. The FS-Series also support DisplayPort, HDMI and VGA input options, making swift workstation setup and providing an immersive multimedia experience.



FS-27G



FS-27G / FS-24G



FS-27G



FS-24G



FS-27G



178°

178°

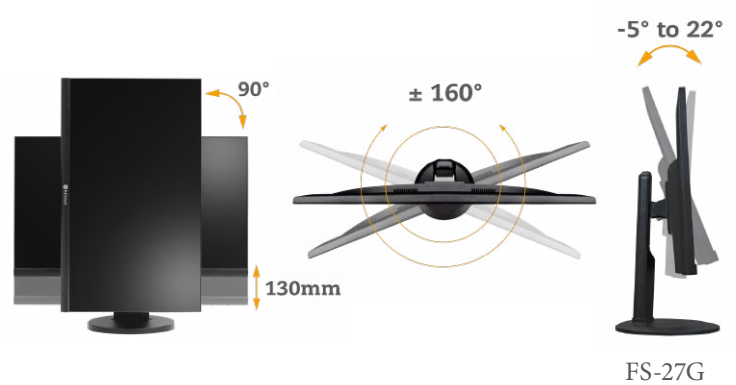
Wide Viewing Angle

3-sided Narrow Bezel and Wide Viewing Angle

The 3-sided narrow bezel design broadens the screen space; it also allows for easy setup of multiple monitors with a reduced bezel gap, making users to enjoy an expansive viewing experience, meanwhile, enhancing productivity at work. And the wide viewing angle of 178/178 degrees offers true colour accuracy for viewing from almost any angle to the screen.

Highly Adjustable Stand

The height-adjustable stand allows effortless adjustment in any direction, including screen orientation, to attain the perfect workstation setup. Tilt, swivel, and height all offer ample flexibility and room to suit unique requirements. Switching from portrait to landscape is just an easy twist, with a pivot designed just for that purpose.



FS-27G



LOW BLUE LIGHT

Eye Comfort

Eye comfort figures high on the list of strengths that define the FS-Series. The flicker-free backlight and blue light filter of the FS-Series ensure a comfortable viewing experience by reducing eyestrain after long periods of use.

Features

- Full HD 1920 x 1080 resolution
- Crisp 20,000,000 dynamic contrast ratio
- 3-sided narrow bezel design for seamless multi-display setups
- Versatile connectivity: DisplayPort, HDMI, VGA
- Blue-light filter and Flicker-free display technology reduces eye discomfort
- VESA mount compatibility for flexible installation
- Height adjustable stand allows users to tilt, pivot and swivel

Specifications

FS-24G

FS-27G

Panel

Panel Type	LED-Backlit TFT LCD (VA Technology)	LED-Backlit TFT LCD (VA Technology)
Panel Size	23.8"	27.0"
Max. Resolution	FHD 1920 x 1080	FHD 1920 x 1080
Pixel Pitch	0.275 mm	0.314 mm
Brightness	250 cd/m ²	250 cd/m ²
Contrast Ratio	20,000,000:1 (DCR)	20,000,000:1 (DCR)
Viewing Angle (H/V)	178°/178°	178°/178°
Display Colour	16.7M	16.7M
Response Time	5 ms	5 ms

Frequency

Frequency (H)	30 kHz-83 KHz	30 kHz-83 KHz
Frequency (V)	50 Hz-75 Hz	50 Hz-75 Hz

Signal Input

DisplayPort	x 1	x 1
HDMI	1.3 x 1	1.3 x 1
VGA	15-Pin D-Sub x 1	15-Pin D-Sub x 1

Audio

Audio In	Stereo Audio Jack (3.5 mm)	Stereo Audio Jack (3.5 mm)
Audio Out	Stereo Audio Jack (3.5 mm)	Stereo Audio Jack (3.5 mm)
Internal Speakers	2W x 2	2W x 2

Power

Power Supply	Internal	Internal
Power Requirements	AC 100-240V, 50/60 Hz	AC 100-240V, 50/60 Hz
On Mode	19W (On)	24W (On)
Stand-by Mode	< 0.5W	< 0.5W
Off Mode	< 0.3W	< 0.3W

Operating Conditions

Temperature	0°C-40°C (32°F-104°F)	0°C-40°C (32°F-104°F)
Humidity	10%-85% (non-condensing)	10%-85% (non-condensing)

Storage Conditions

Temperature	-20°C - 60°C (-4°F-140°F)	-20°C - 60°C (-4°F-140°F)
Humidity	5%-85% (non-condensing)	5%-85% (non-condensing)

Mounting

VESA FPM/PMI	Yes (100 x 100 mm)	Yes (100 x 100 mm)
--------------	--------------------	--------------------

Stand

Tilt	-5° to 22°	-5° to 22°
Pivot	0° to 90°	0° to 90°
Swivel	± 160°	± 160°
Height Adjustment	0-100 mm	0-130 mm

Security

Kensington Security Slot	Yes	Yes
--------------------------	-----	-----

Dimensions

Product with Base (W x H x D)	540.0 x 515.9 x 204.3 mm (21.3" x 20.3" x 8.0")	613.8 x 563.3 x 244.6 mm (24.2" x 22.2" x 9.6")
Product w/o Base (W x H x D)	540.0 x 324.4 x 51.4 mm (21.3" x 12.8" x 2.0")	613.8 x 366.6 x 51.4 mm (24.2" x 14.4" x 2.0")
Packaging (W x H x D)	655.0 x 408.0 x 172.0 mm (25.8" x 16.1" x 6.8")	706.0 x 457.0 x 196.0 mm (27.8" x 18.0" x 7.7")

Weight

Product w/o Base	3.3 kg (7.3 lb)	3.7 kg (8.2 lb)
Product with Base	4.9 kg (10.8 lb)	6.0 kg (13.2 lb)
Packaging	6.5 kg (14.3 lb)	7.6 kg (16.8 lb)

Regulation Approval

Certifications & Compliance	CE, LVD, WEEE, RoHS, REACH	CE, LVD, WEEE, RoHS, REACH
-----------------------------	----------------------------	----------------------------

Accessories

Supplied	Power Cord, HDMI Cable, Audio Cable, Quick Start Guide, Warranty Card	Power Cord, HDMI Cable, Audio Cable, Quick Start Guide, Warranty Card
----------	---	---

Optional Accessories

Ceiling Mount (Landscape only)	CMP-01+WMK-03	CMP-01+WMK-03
Wall Mount (Landscape only)	WMA-01, WMK-01, WMK-03, PMK-01	WMA-01, WMK-01, WMK-03, PMK-01
Desk Mount (Landscape only)	DMC-01, DMC-02D, DMS-01D, DMS-01Q, ES-02	DMC-01, ES-02

Global Headquarters

Taipei, Taiwan

EMEA Regional Headquarters

Capelle a/d IJssel, The Netherlands

North & South America Regional Headquarters

San Jose, CA, U.S.A.

Asia-Pacific Regional Headquarters

Taipei, Taiwan

Canada Sales Office

Vancouver, B.C., Canada

China Sales Office

Shanghai, China

Czech Republic Sales Office

Brno, Czech Republic

Denmark Sales Office

Støvring, Denmark

Germany Sales Office

Mechernich, Germany

Italy Sales Office

Livorno, Italy

Poland Sales Office

Warsaw, Poland

Spain Sales Office

Barcelona, Spain

Ukraine Sales Office

Lviv, Ukraine

displays.agneovo.com