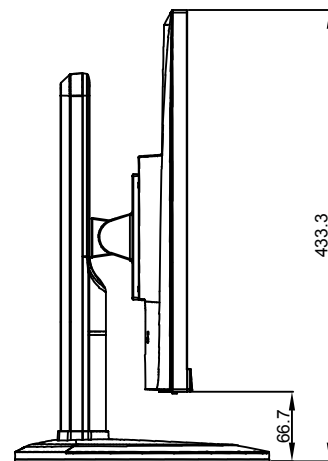
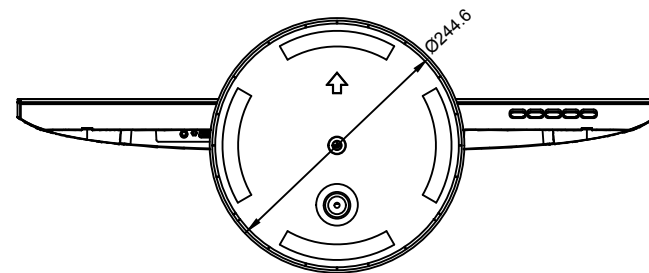
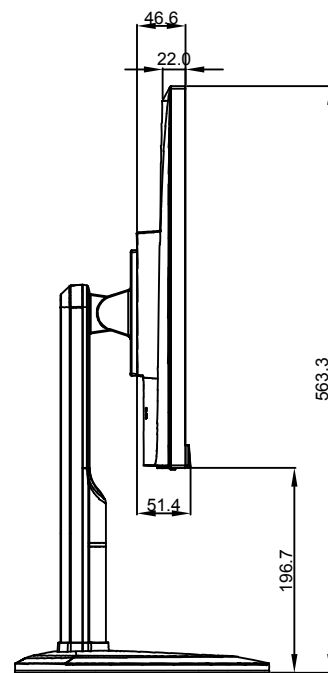
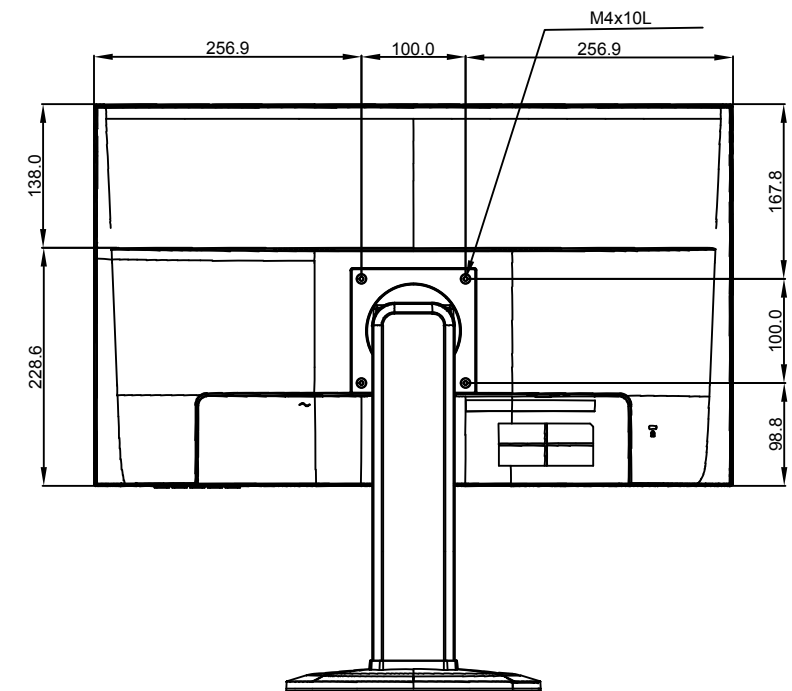
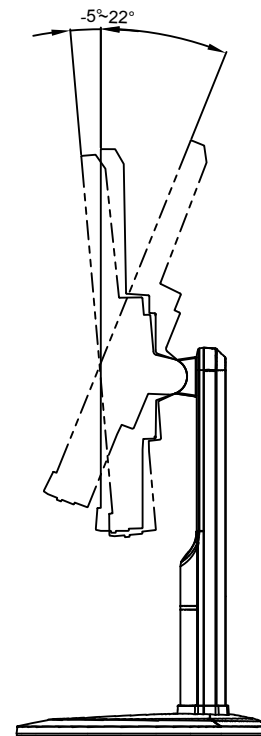
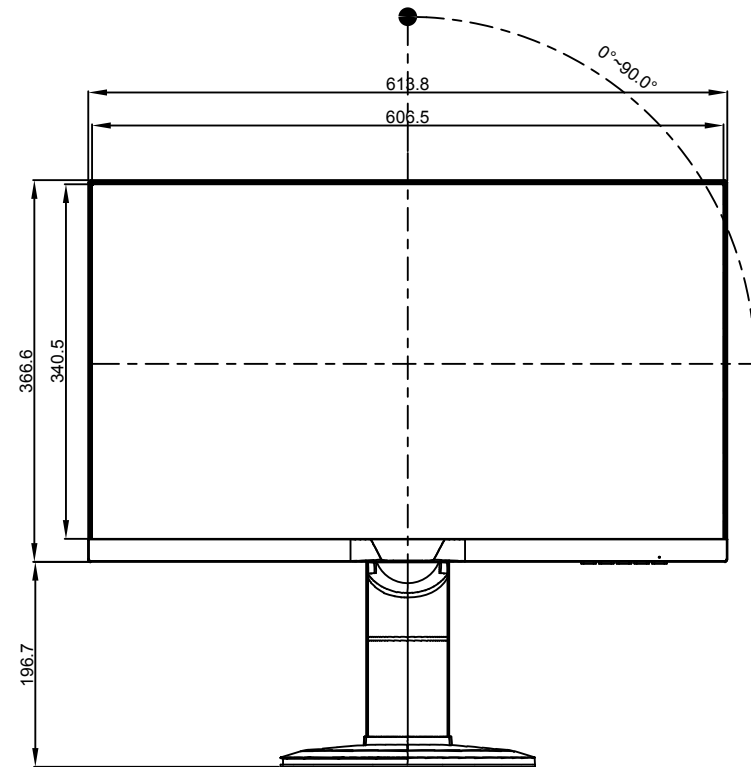
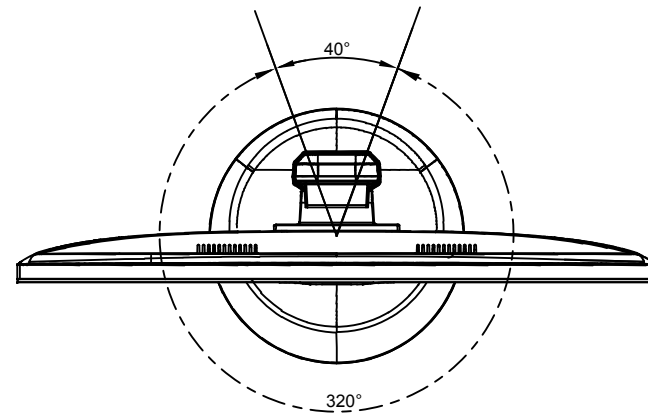


FS-27G

Net weight : 6.0 kg(with stand)
3.7 kg(w/o stand)



SPECIFICATIONS SUBJECT TO CHANGE WITHOUT NOTICE.

 www.agneovo.com	Model Name:	
	<h2>FS-27G</h2>	
<small>THIS DRAWING ON THIS PRINT AND INFORMATION BELONG WITH AG Neovo. ANY REPRODUCTION IN PART OR WHOLE WITHOUT WRITTEN PERMISSION OF AG Neovo IS PROHIBITED.</small>	 THIRD ANGLE PROJECTION	P/C:FS7G00 SCALE 1:1 UNITS mm V.1.01