

LH-Series LCD Monitor 22" | 24" | 27"

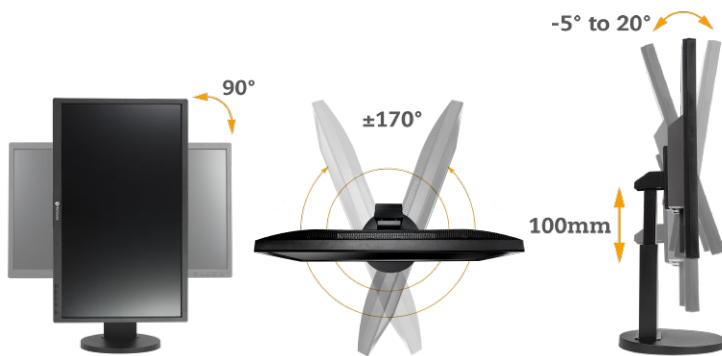
Ergonomic Home and Office Displays that Ensure Viewing Comfort



The LH-Series is focused on offering the viewer an immersive yet relaxed viewing experience. The displays are built with both flicker-free and blue-light filter technologies to protect the viewer from eye strain, while an ergonomically-designed stand which can be freely adjusted allows you to manoeuvre your display based on its surroundings conveniently. Further complemented by motion enhancement capabilities that reduce blur and sharpen image clarity, the LH-Series are displays that ensure comfort and are ideal for both home or office use.



LH-27 LH-24 / LH-22



LH-24 / LH-22

Maximised Comfort and Efficiency

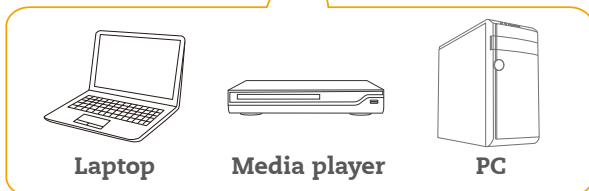
An ergonomically-designed stand makes it possible to configure your workstation and create a working environment the way you want it. For comfort, convenience, and efficiency, tilt, pivot, or swivel the display, adjust its height, or shift to either portrait or landscape mode.

Eye Comfort

Eye comfort figures high on the list of strengths that define the LH-Series. The flicker-free backlight and blue light filter of the LH-Series ensure a comfortable viewing experience by reducing eyestrain after long periods of use. A finely tuned overdrive circuit greatly reduces ghosting and blurring to ensure videos look clean and sharp.



LOW BLUE LIGHT



Flexible Connectivity and Multimedia Options

Connectivity versatility brings immense flexibility. Given its HDMI, DisplayPort, and VGA input options, you can easily connect an LH-Series display to your current or older peripherals, like PCs, laptops, or media players and enjoy Full HD resolution video and audio content.

Features

- Full HD 1920 x 1080 resolution
- Crisp 20,000,000:1 dynamic contrast ratio
- DisplayPort and HDMI inputs for Full HD connectivity with a variety of devices
- Blue-light filter and flicker-free display technology reduces eye discomfort
- Selectable aspect ratio
- Built-in speakers and audio mini-jack in/out connection
- VESA mount compatibility for flexible installation
- Height adjustable stand allows users to tilt, pivot and swivel

Specifications	LH-22	LH-24	LH-27
Panel			
Panel Type	LED-Backlit TFT LCD (TN Technology)	LED-Backlit TFT LCD (IPS Technology)	LED-Backlit TFT LCD (VA Technology)
Panel Size	21.5"	23.8"	27.0"
Max. Resolution	FHD 1920 x 1080	FHD 1920 x 1080	FHD 1920 x 1080
Pixel Pitch	0.248 mm	0.275 mm	0.314 mm
Brightness	300 cd/m ²	270 cd/m ²	280 cd/m ²
Contrast Ratio	20,000,000:1 (DCR)	20,000,000:1 (DCR)	20,000,000:1 (DCR)
Viewing Angle (H/V)	170°/160°	178°/178°	178°/178°
Display Colour	16.7M	16.7M	16.7M
Response Time	3 ms	5 ms	5 ms
Frequency			
Frequency (H)	30 kHz-83 KHz	30 kHz-83 KHz	30 kHz-83 KHz
Frequency (V)	56 Hz-75 Hz	56 Hz-75 Hz	56 Hz-75 Hz
Signal Input			
DisplayPort	x 1	x 1	x 1
HDMI	1.3 x 1	1.3 x 1	1.3 x 1
VGA	15-Pin D-Sub x 1	15-Pin D-Sub x 1	15-Pin D-Sub x 1
Audio			
Audio In	Stereo Audio Jack (3.5 mm)	Stereo Audio Jack (3.5 mm)	Stereo Audio Jack (3.5 mm)
Audio Out	Stereo Audio Jack (3.5 mm)	Stereo Audio Jack (3.5 mm)	Stereo Audio Jack (3.5 mm)
Internal Speakers	2W x 2	2W x 2	2W x 2
Power			
Power Supply	Internal	Internal	Internal
Power Requirements	AC 100-240V, 50/60 Hz	AC 100-240V, 50/60 Hz	AC 100-240V, 50/60 Hz
On Mode	18W (On)	18W (On)	25W (On)
Stand-by Mode	< 0.5W	< 0.5W	< 0.5W
Off Mode	< 0.5W	< 0.5W	< 0.5W
Operating Conditions			
Temperature	5°C- 35°C (41°F-95°F)	5°C- 35°C (41°F-95°F)	5°C- 35°C (41°F-95°F)
Humidity	20%-85% (non-condensing)	20%-85% (non-condensing)	20%-85% (non-condensing)
Storage Conditions			
Temperature	-20°C - 60°C (-4°F-140°F)	-20°C - 60°C (-4°F-140°F)	-20°C - 60°C (-4°F-140°F)
Humidity	5%-85% (non-condensing)	5%-85% (non-condensing)	5%-85% (non-condensing)
Mounting			
VESA FPMPI	Yes (100 x 100 mm)	Yes (100 x 100 mm)	Yes (100 x 100 mm)
Stand			
Tilt	-5° to 20°	-5° to 20°	-5° to 20°
Pivot	0° to 90°	0° to 90°	0° to 90°
Swivel	± 170°	± 170°	± 160°
Height Adjustment	0-100 mm	0-100 mm	0-130 mm
Security			
Kensington Security Slot	Yes	Yes	Yes
Dimensions			
Product with Base (W x H x D)	511.0 x 465.6 x 204.0 mm (20.1" x 18.3" x 8.0")	555.0 x 512.0 x 204.0 mm (21.9" x 20.2" x 8.0")	612.0 x 517.0 x 243.0 mm (24.1" x 20.4" x 9.6")
Product w/o Base (W x H x D)	511.0 x 313.0 x 46.0 mm (20.1" x 12.3" x 1.8")	555.0 x 339.0 x 46.0 mm (21.9" x 13.3" x 1.8")	612.0 x 365.0 x 45.0 mm (24.1" x 14.4" x 1.8")
Packaging (W x H x D)	565.0 x 377.0 x 149.0 mm (22.2" x 14.8" x 5.9")	628.0 x 423.0 x 166.0 mm (24.7" x 16.7" x 6.5")	701.0 x 457.0 x 196.0 mm (27.6" x 18.0" x 7.7")
Weight			
Product w/o Base	3.1 kg (6.8 lb)	3.1 kg (6.8 lb)	3.8 kg (8.4 lb)
Product with Base	4.6kg (10.1 lb)	4.9 kg (10.8 lb)	6.2 kg (13.6 lb)
Packaging	6.2 kg (13.6 lb)	6.5 kg (14.3 lb)	8.0 kg (17.6 lb)
Regulation Approval			
Certifications & Compliance	CE, LVD, FCC, WEEE, RoHS, REACH, BSMI	CE, LVD, FCC, BSMI, WEEE, RoHS, REACH	CE, LVD, WEEE, RoHS, REACH, CCC, CEL, FCC
Accessories			
Supplied	Power Cord, VGA Cable, Audio Cable, Quick Start Guide, Warranty Card	Power Cord, VGA Cable, Audio Cable, Quick Start Guide, Warranty Card	Power Cord, VGA Cable, Audio Cable, Quick Start Guide, Warranty Card
Optional Accessories			
Ceiling Mount (Landscape only)	CMP-01+WMK-03	CMP-01+WMK-03	CMP-01+WMK-03
Wall Mount (Landscape only)	WMA-01, WMK-01, WMK-03, PMK-01	WMA-01, WMK-01, WMK-03, PMK-01	WMA-01, WMK-01, WMK-03, PMK-01
Desk Mount (Landscape only)	DMC-01, DMC-02D, DMS-01D, DMS-01Q, ES-02	DMC-01, DMC-02D, DMS-01D, DMS-01Q, ES-02	DMC-01, ES-02

Global Headquarters

Taipei, Taiwan

EMEA Regional Headquarters

Capelle a/d IJssel, The Netherlands

North & South America Regional Headquarters

San Jose, CA, U.S.A.

Asia-Pacific Regional Headquarters

Taipei, Taiwan

Canada Sales Office

Vancouver, B.C., Canada

China Sales Office

Shanghai, China

Czech Republic Sales Office

Brno, Czech Republic

Denmark Sales Office

Støvring, Denmark

Germany Sales Office

Mechernich, Germany

Italy Sales Office

Livorno, Italy

Poland Sales Office

Warsaw, Poland

Spain Sales Office

Barcelona, Spain

Ukraine Sales Office

Lviv, Ukraine

displays.agneovo.com