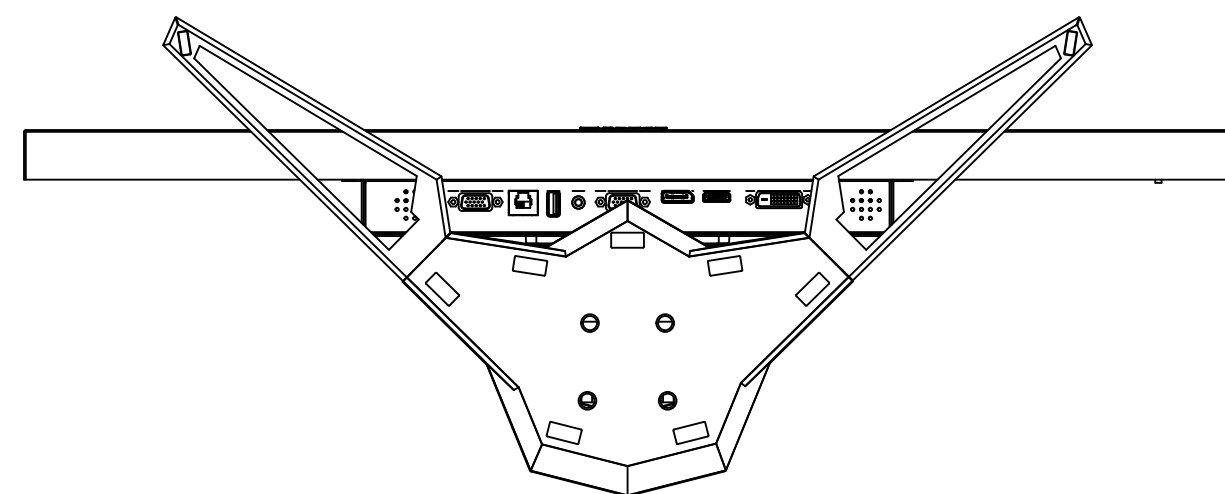
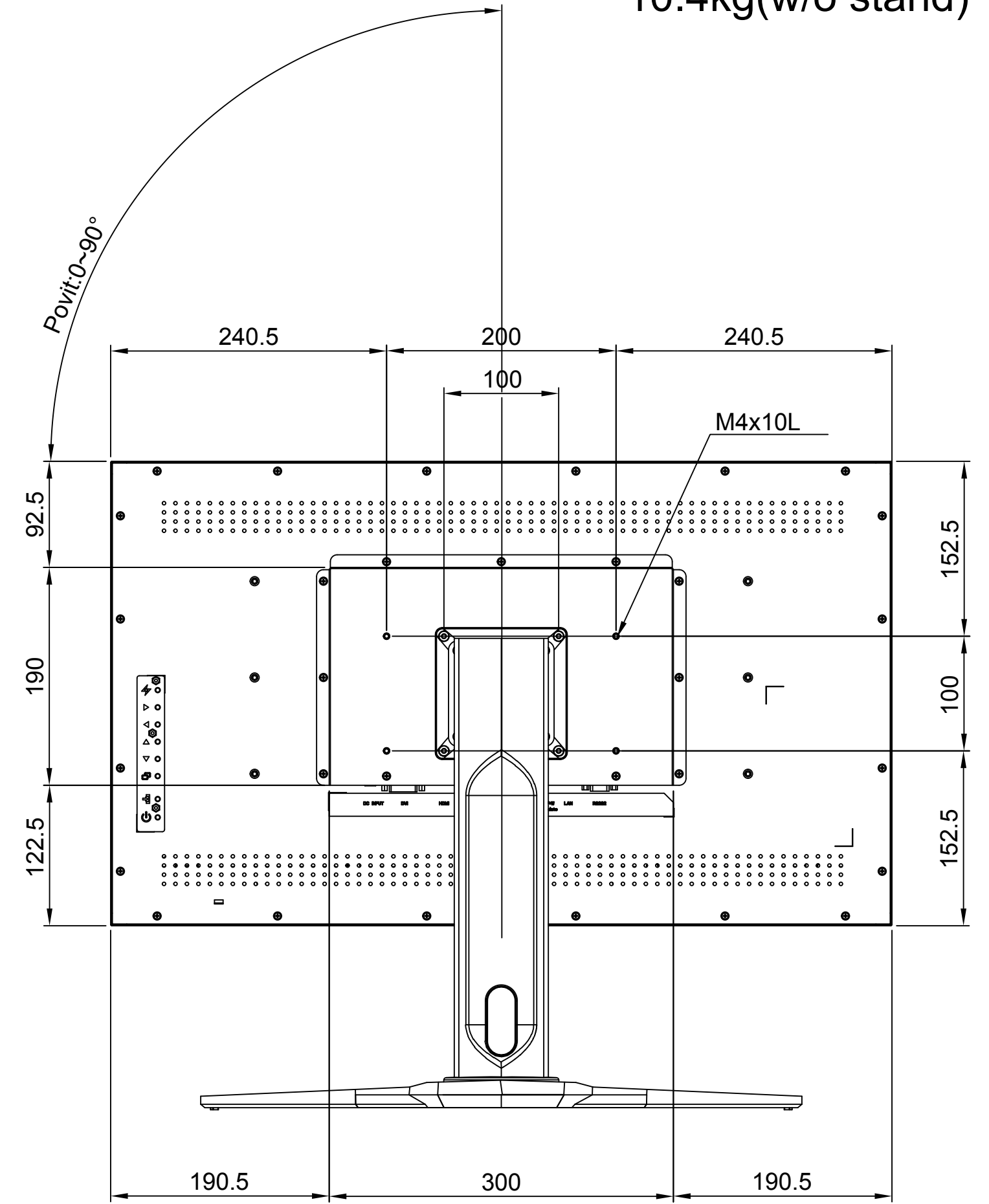
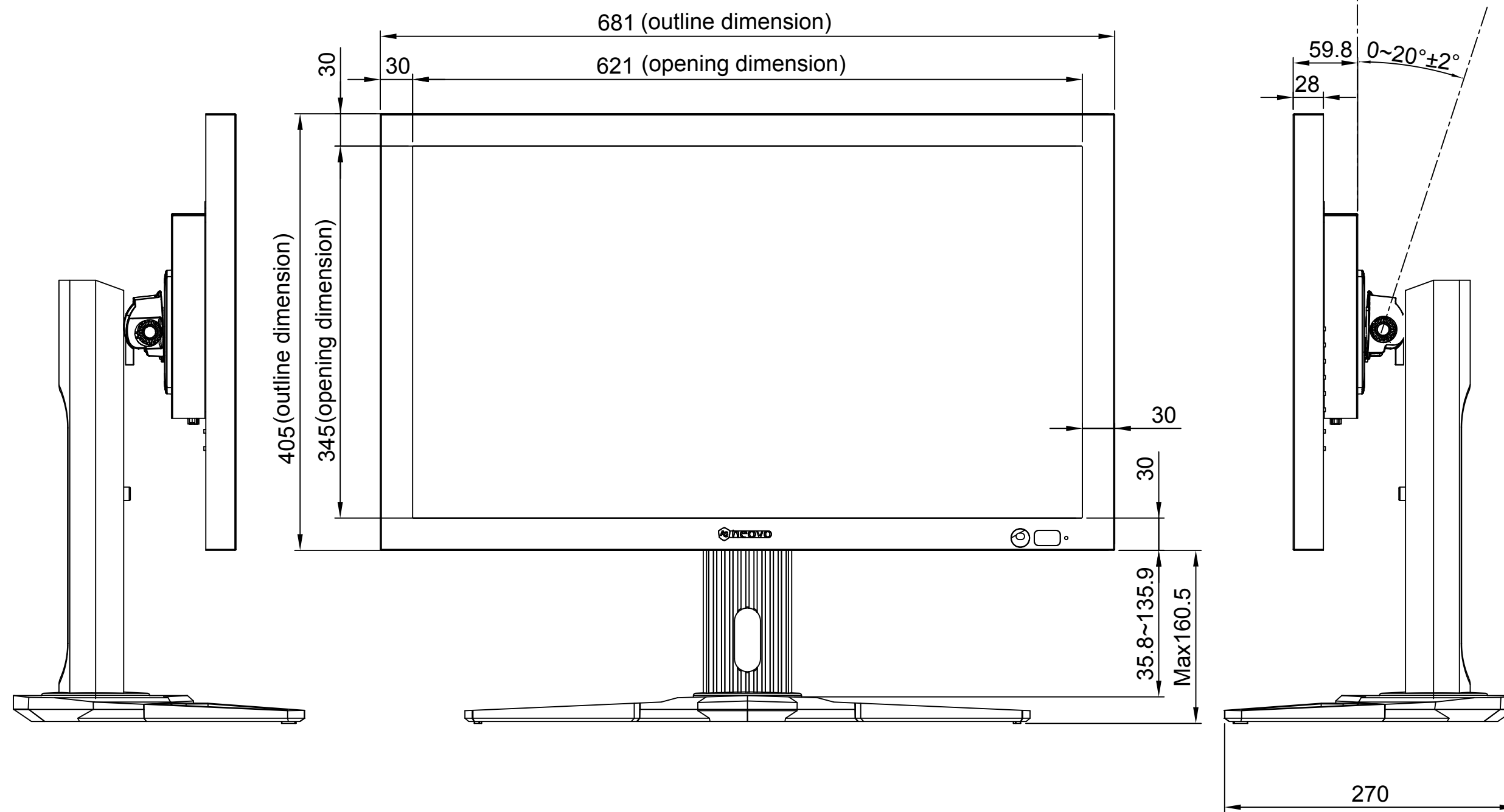


QX-28
 Net weight: 13.3kg(with stand)
 10.4kg(w/o stand)



SPECIFICATIONS SUBJECT TO CHANGE WITHOUT NOTICE.

 www.agneovo.com	Model Name:		QX-28	
	<small>THIS DRAWING ON THIS PRINT AND INFORMATION BELONG WITH AG Neovo. ANY REPRODUCTION IN PART OR WHOLE WITHOUT WRITTEN PERMISSION OF AG Neovo IS PROHIBITED.</small>		<small>THIRD ANGLE PROJECTION</small>	P/C: QX2800 SCALE: 1:1 UNITS: mm V.1.02