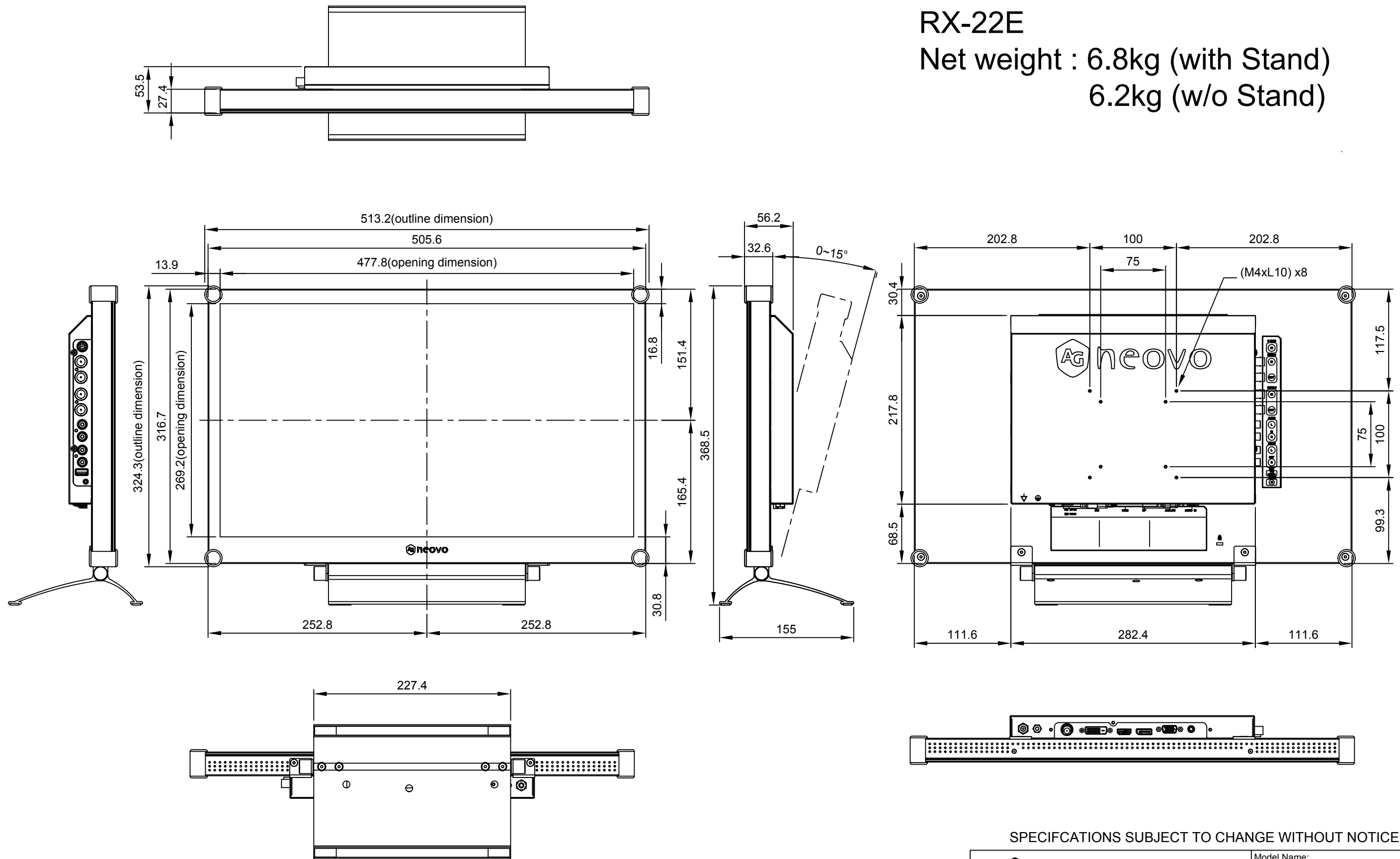


# RX-22E

Net weight : 6.8kg (with Stand)  
6.2kg (w/o Stand)



SPECIFICATIONS SUBJECT TO CHANGE WITHOUT NOTICE.

 www.agneovo.com	Model Name:	
	<h2>RX-22E</h2>	
<small>THIS DRAWING ON THIS PRINT AND INFORMATION BELONG WITH AG Neovo. ANY REPRODUCTION IN PART OR WHOLE WITHOUT WRITTEN PERMISSION OF AG Neovo IS PROHIBITED.</small>		<small>P/C:RX2E00</small>
<small>THIRD ANGLE PROJECTION</small>	<small>SCALE 1:1</small>	<small>UNITS mm</small>
		<small>V.1.04</small>