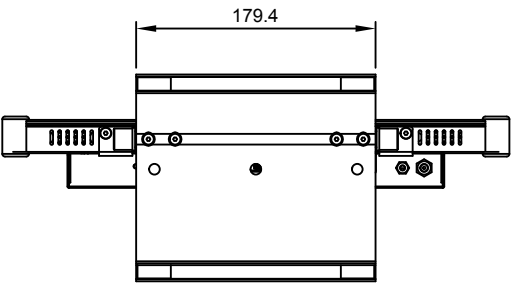
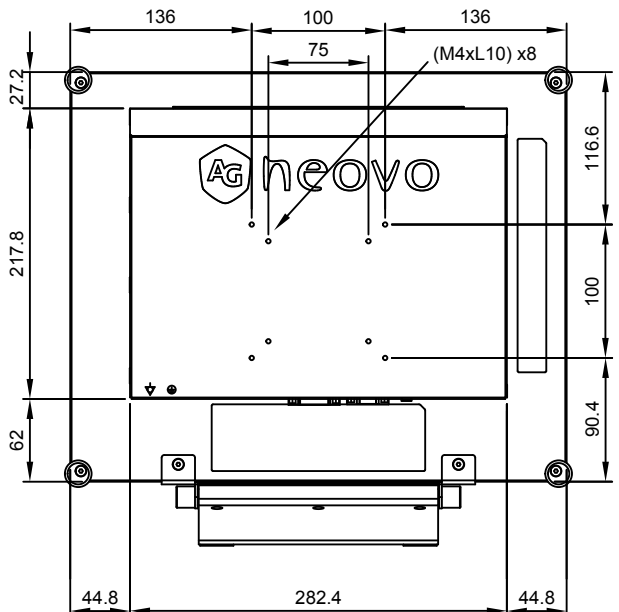
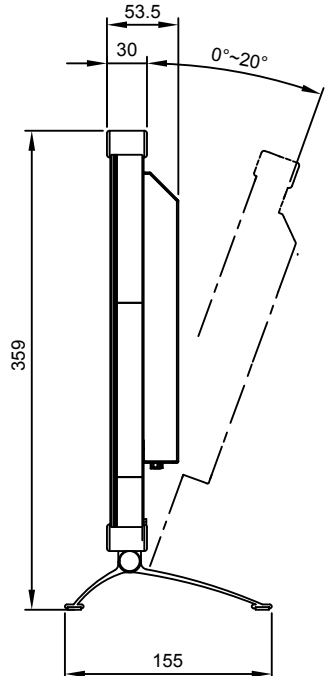
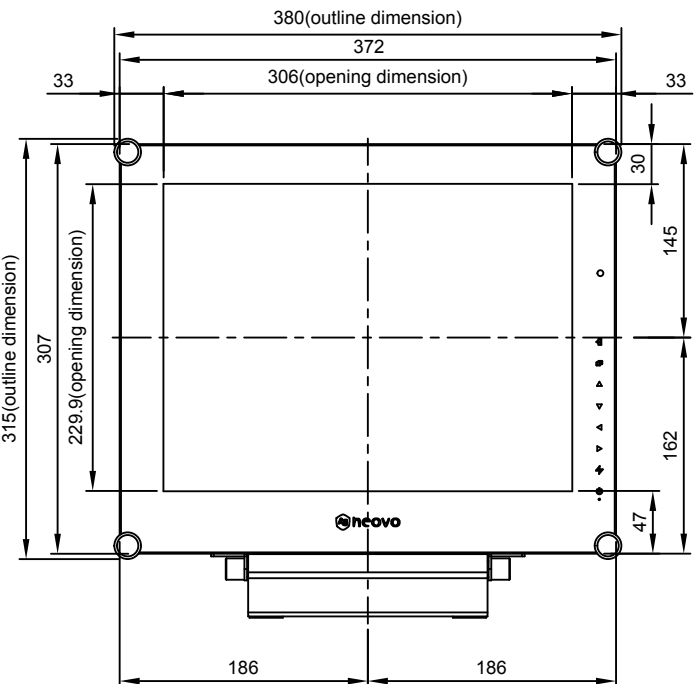
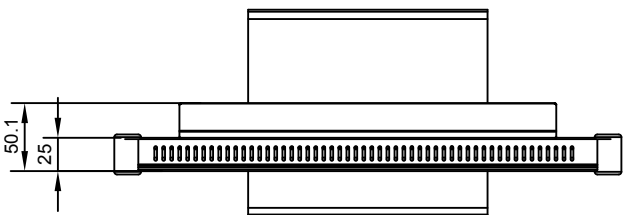


X-15E

Net Weight: 4.6kg(with stand)
4.2kg(w/o stand)



SPECIFICATIONS SUBJECT TO CHANGE WITHOUT NOTICE.

 www.agneovo.com	Model Name:
	X-15E
<small>THIS DRAWING ON THIS PRINT AND INFORMATION BELONG WITH AG Neovo ANY REPRODUCTION IN PART OR WHOLE WITHOUT WRITTEN PERMISSION OF AG Neovo IS PROHIBITED.</small>	<small>P/C:X15E00</small>
<small>THIRD ANGLE PROJECTION</small>	SCALE 1:1 UNITS mm v. 1.03