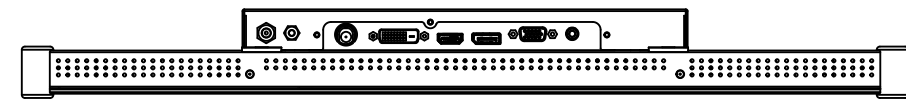
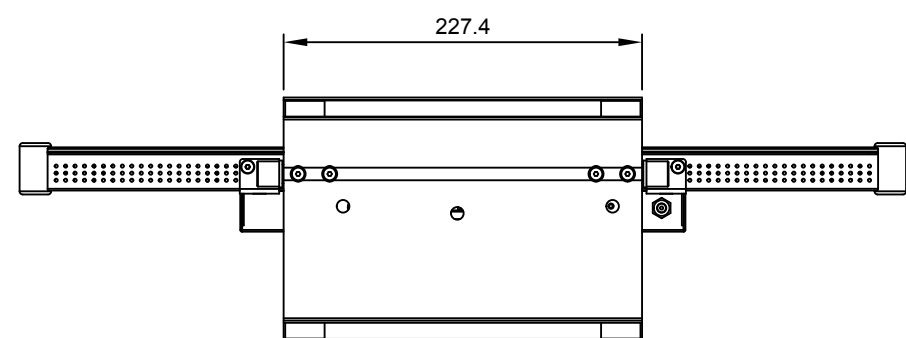
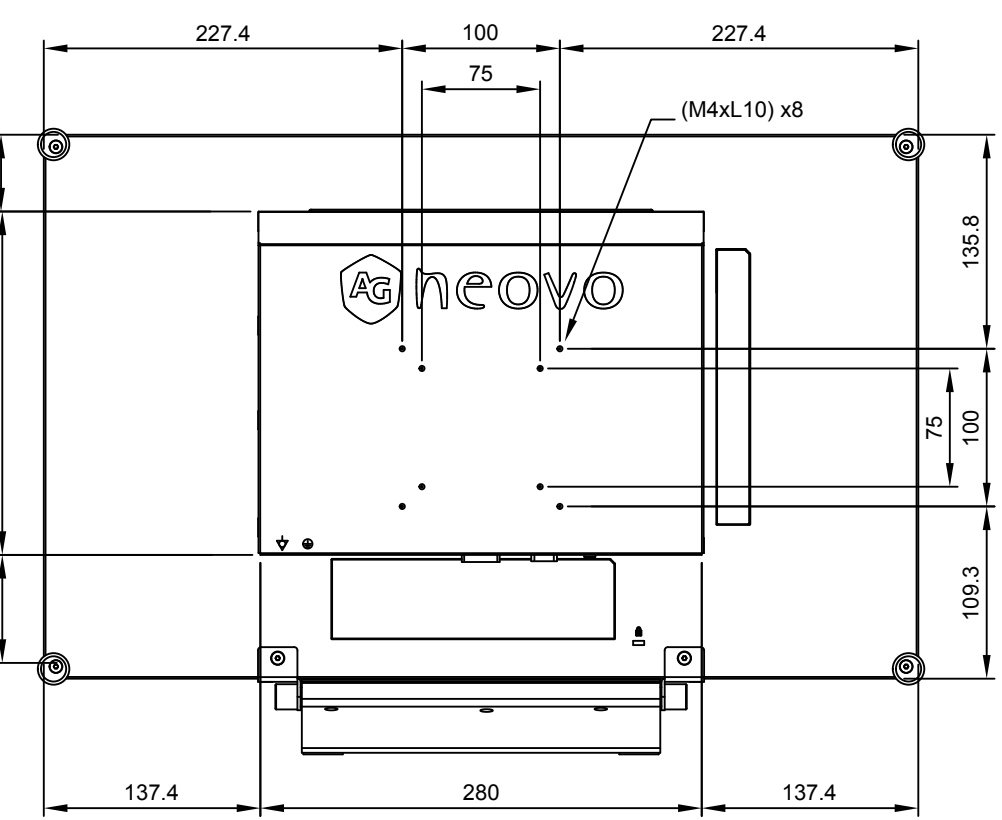
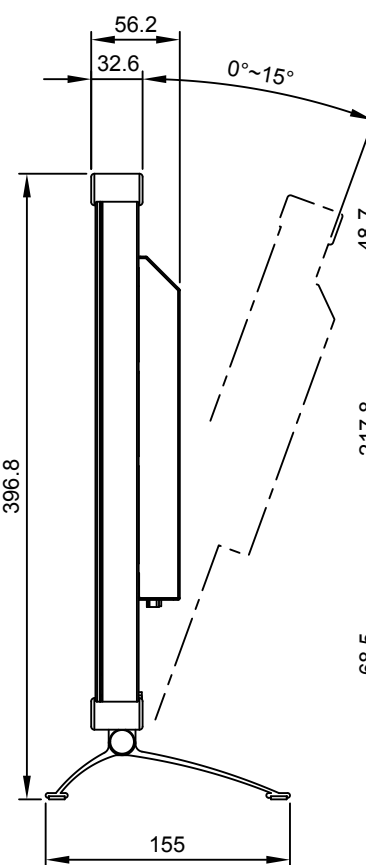
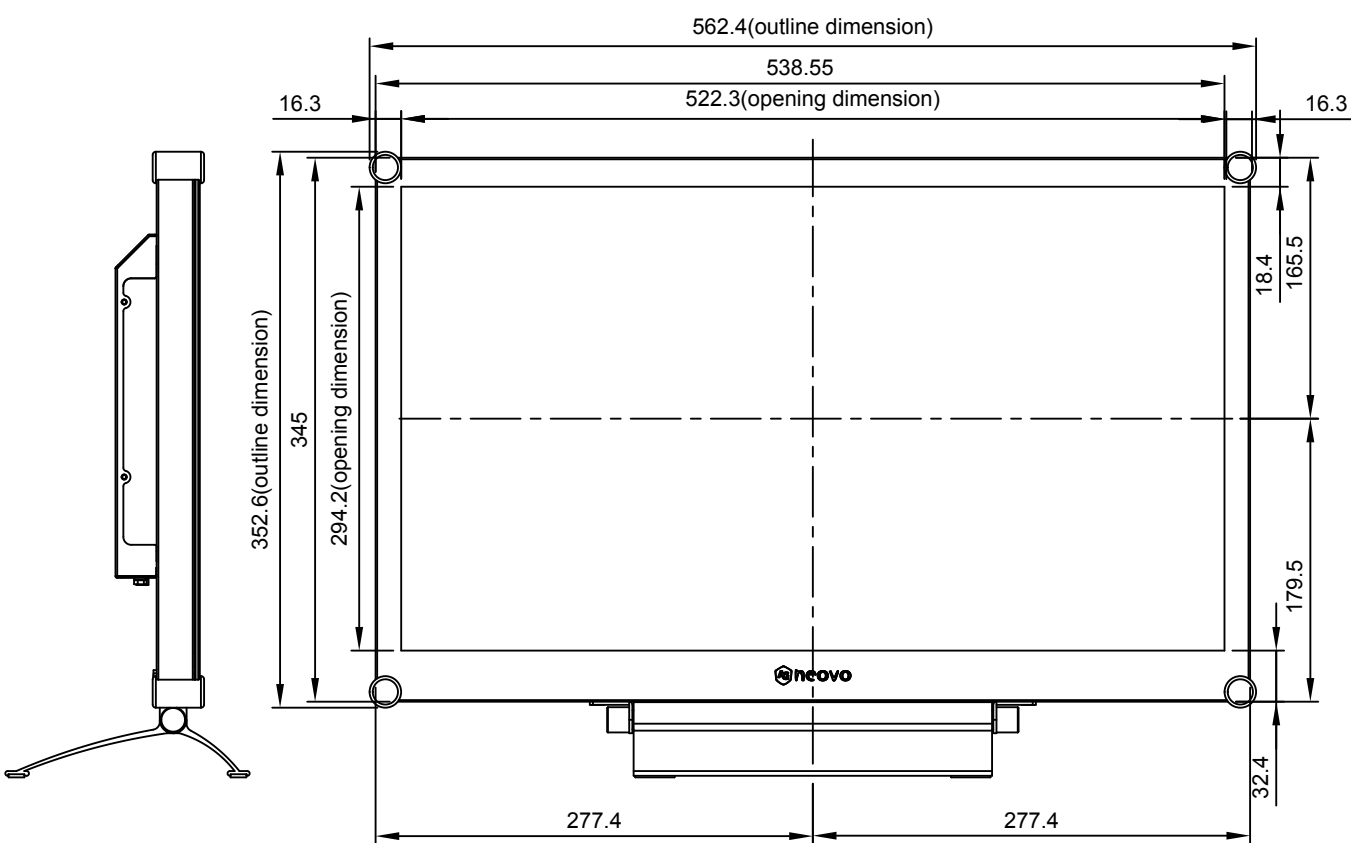
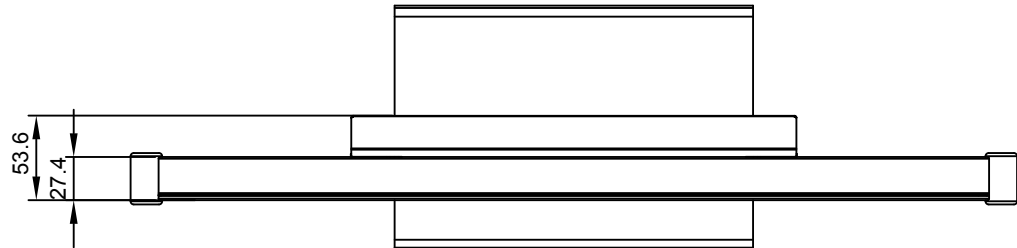


X-24E
 Net weight : 7.8kg (with Stand)
 7.2kg (w/o Stand)



SPECIFICATIONS SUBJECT TO CHANGE WITHOUT NOTICE.

 www.agneovo.com	Model Name:	
	X-24E	
<small>THIS DRAWING ON THIS PRINT AND INFORMATION BELONG WITH AG Neovo. ANY REPRODUCTION IN PART OR WHOLE WITHOUT WRITTEN PERMISSION OF AG Neovo IS PROHIBITED.</small>	<small>P/C: X24E00</small>	<small>THIRD ANGLE PROJECTION</small>
SCALE	1:1	UNITS mm
		V.1.03