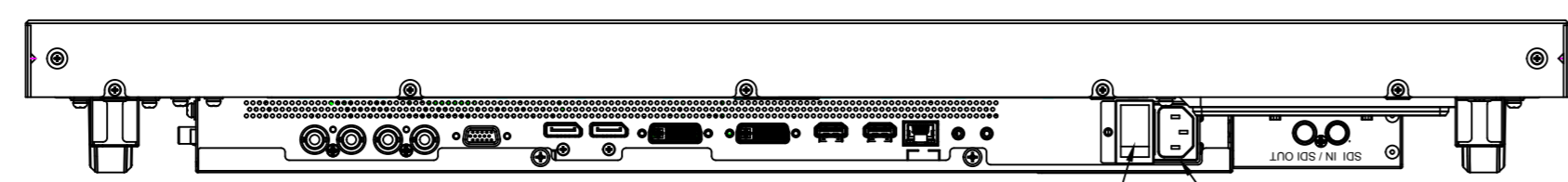
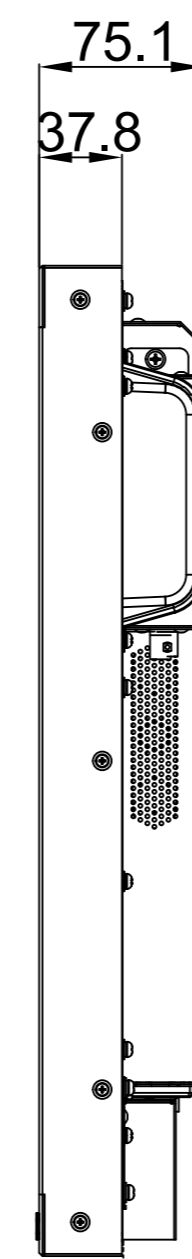
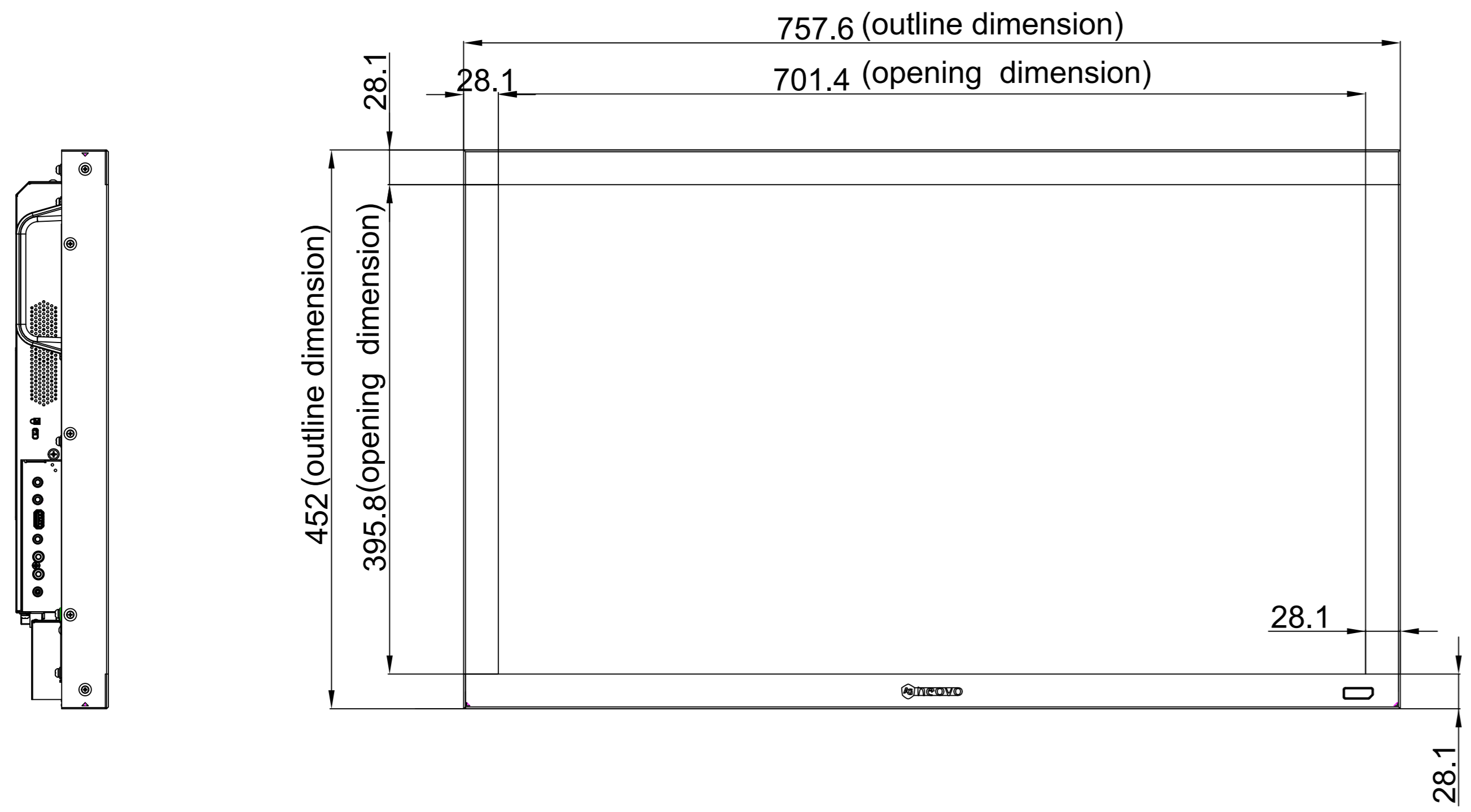
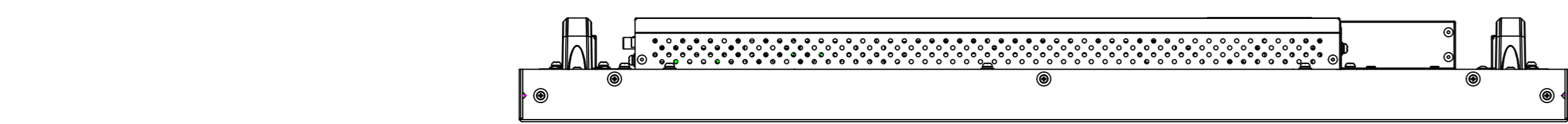
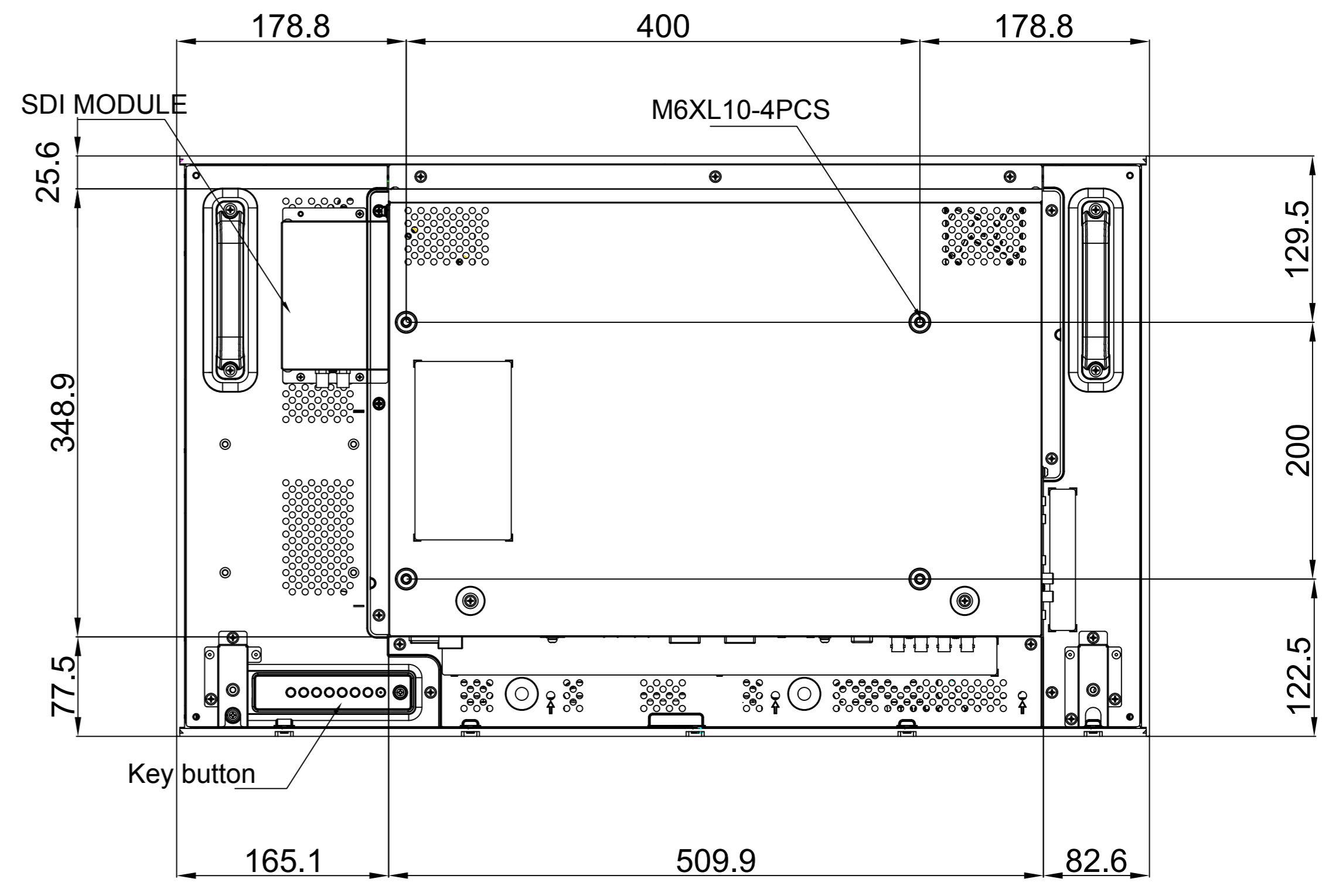


HX-32E

Net weight: 15.2kg



Power switch AC IN/OUT



SPECIFICATIONS SUBJECT TO CHANGE WITHOUT NOTICE.



Model Name:
HX-32E

THIS DRAWING ON THIS PRINT AND INFORMATION BELONG WITH AG Neovo.
ANY REPRODUCTION IN PART OR WHOLE WITHOUT WRITTEN PERMISSION
OF AG Neovo IS PROHIBITED.

P/C:H32E00
SCALE 1:1 UNITS mm V.1.03