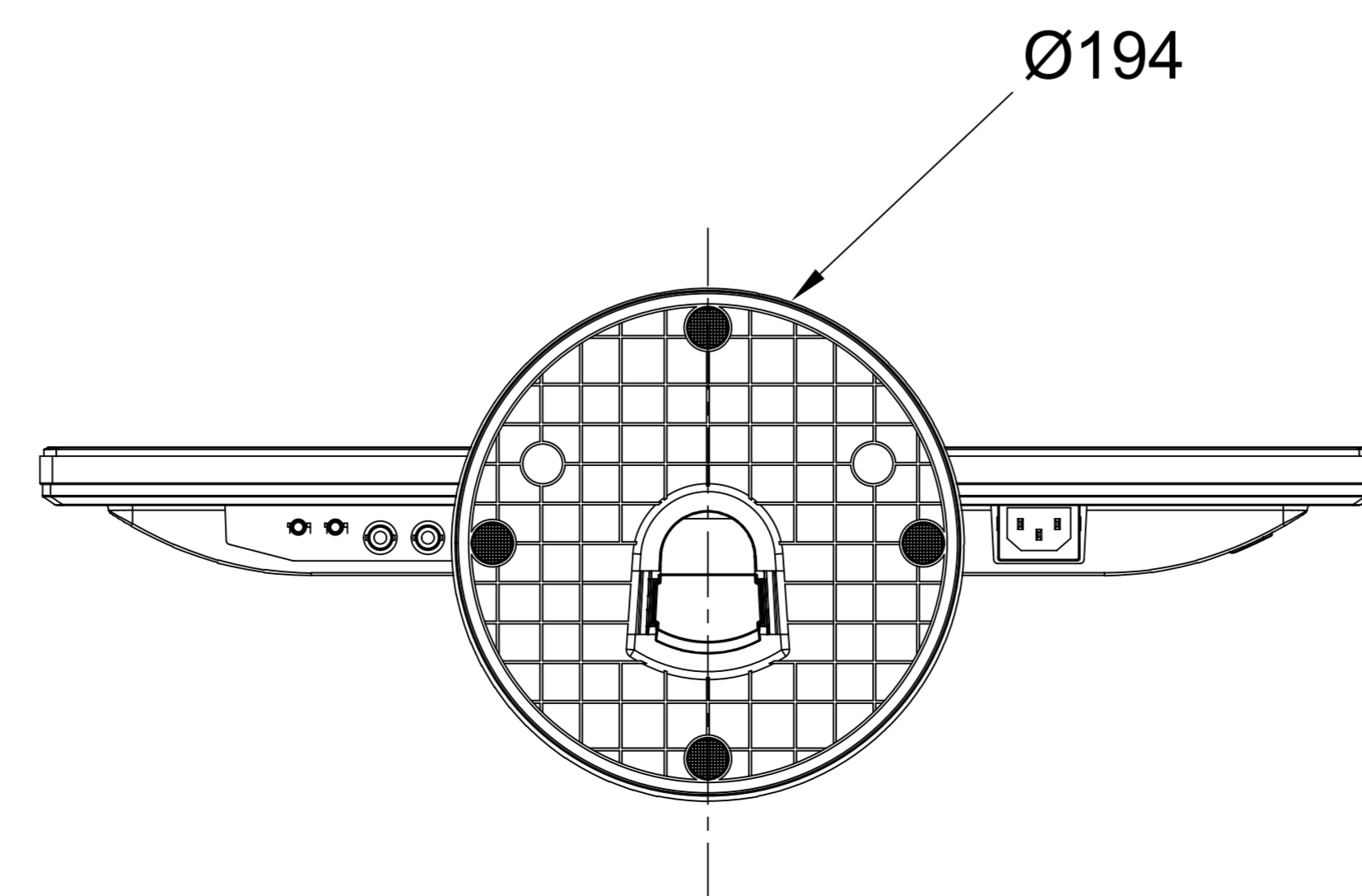
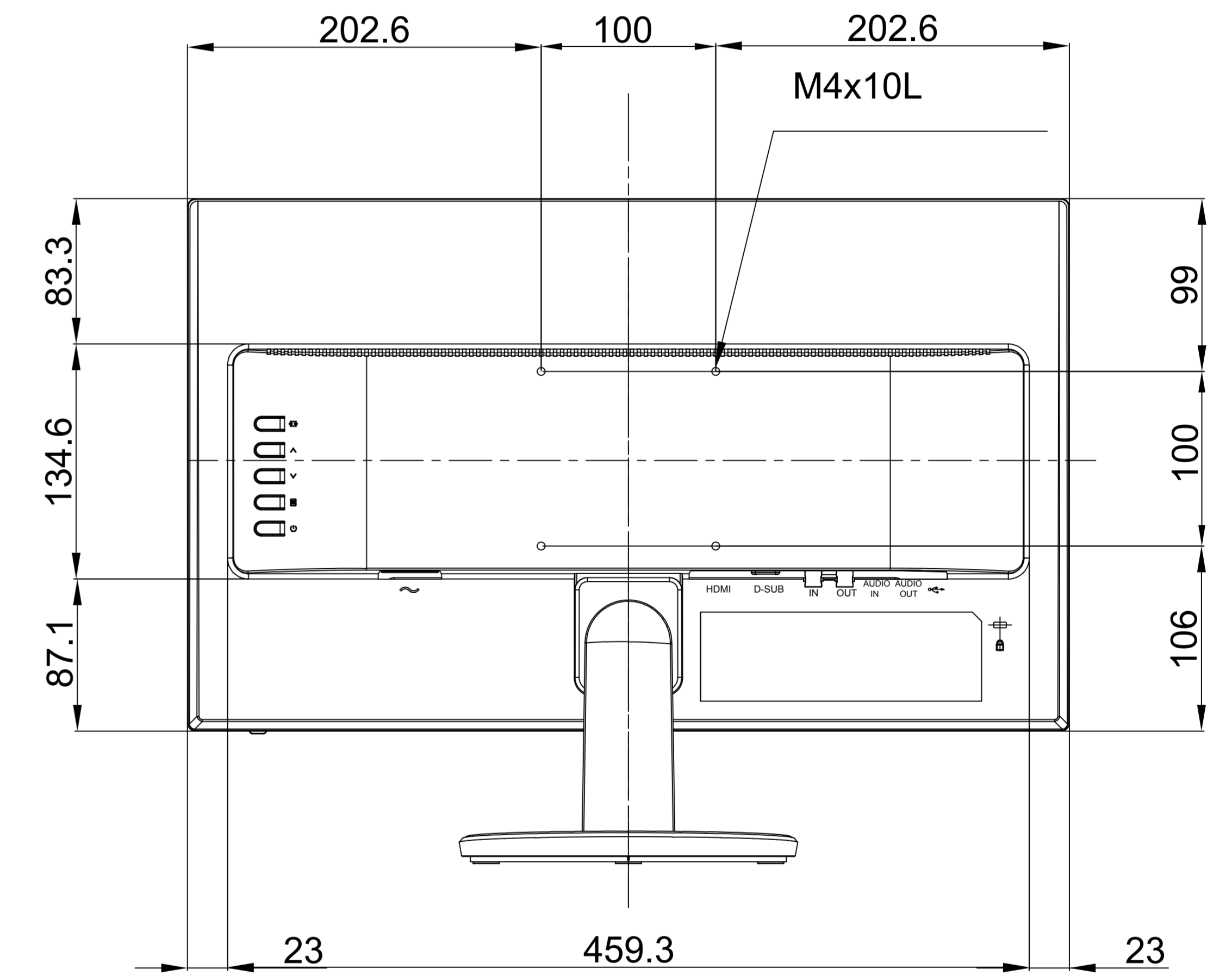
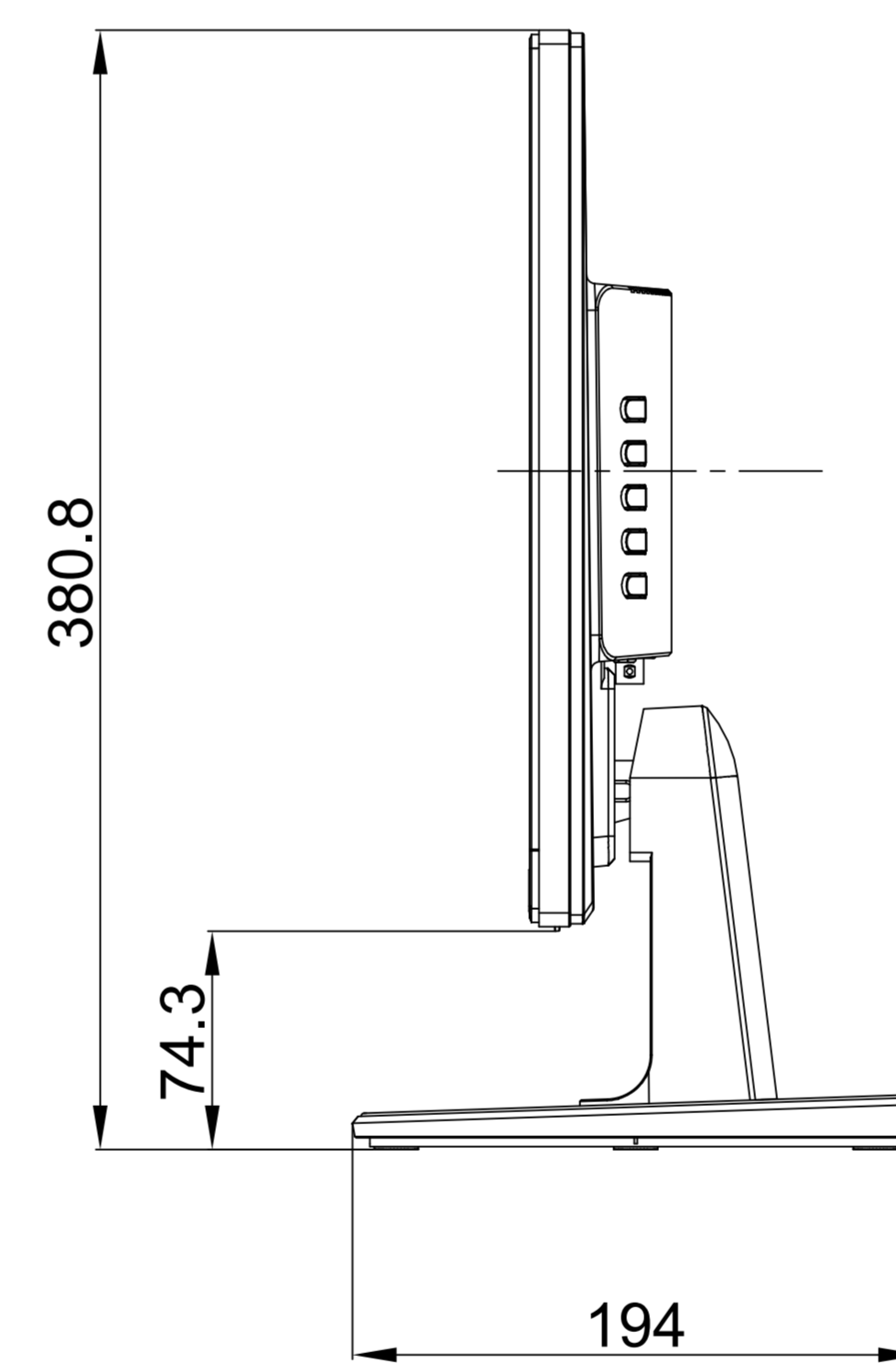
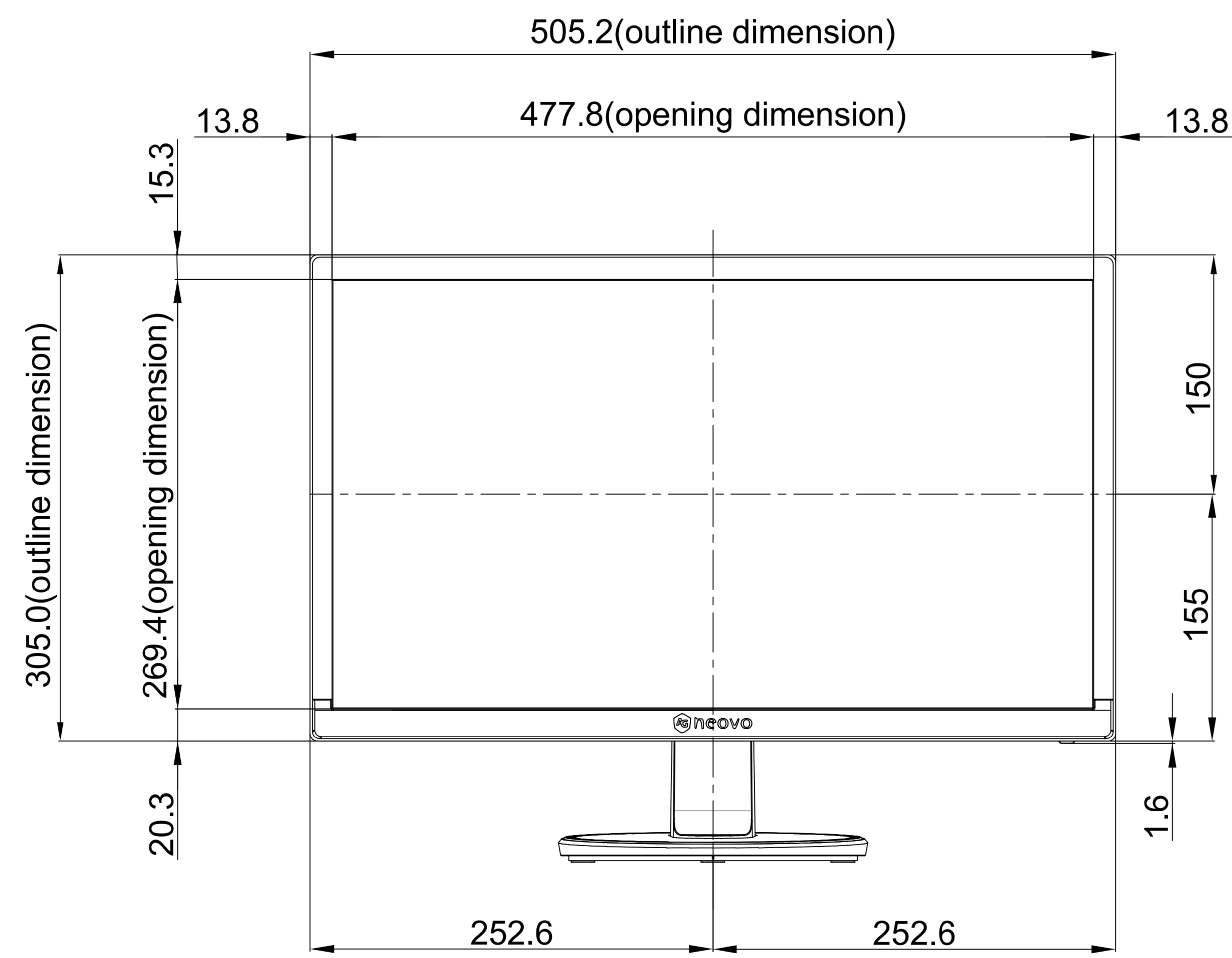
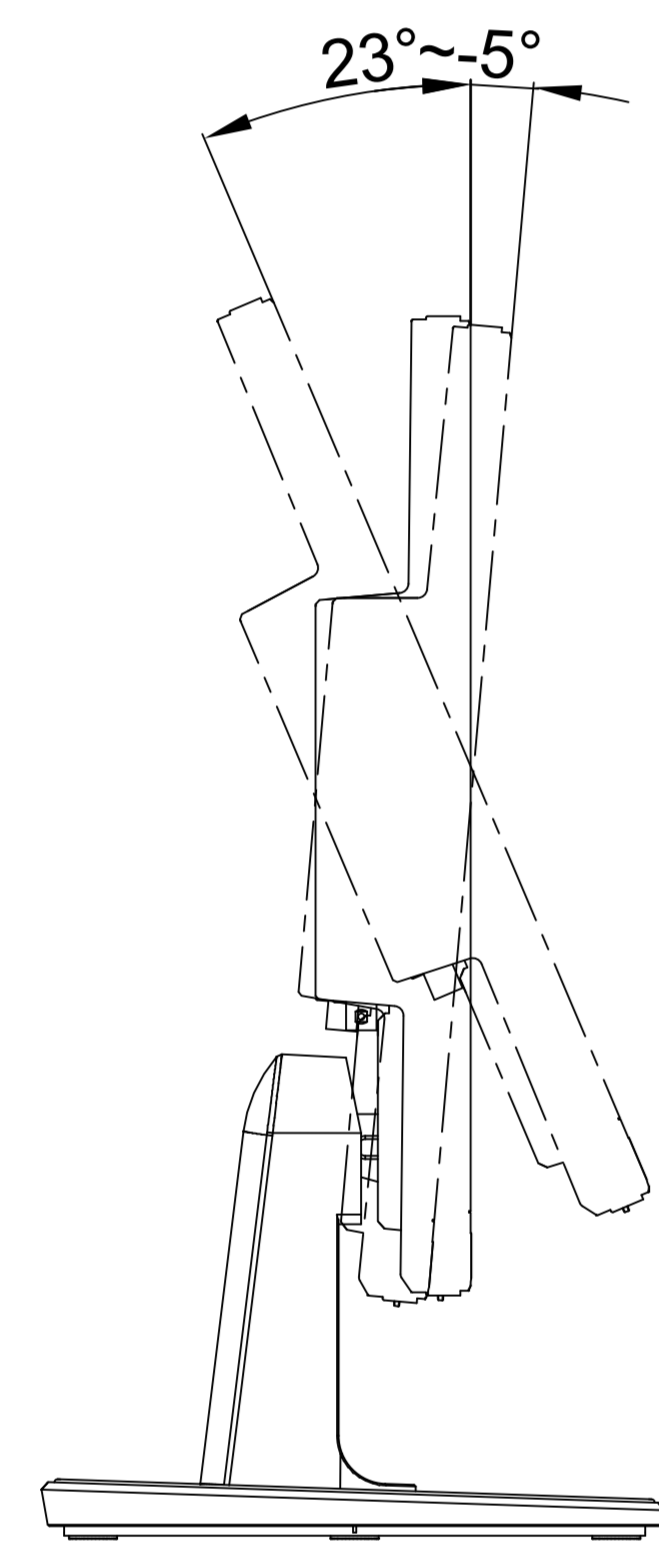


SC-22E
 Net weight :2.8kg (with stand)
 2.4kg (w/o stand)



SPECIFICATIONS SUBJECT TO CHANGE WITHOUT NOTICE.

 www.agneovo.com	Model Name:		SC-22E	
	<small>THIS DRAWING ON THIS PRINT AND INFORMATION BELONG WITH AG Neovo. ANY REPRODUCTION IN PART OR WHOLE WITHOUT WRITTEN PERMISSION OF AG Neovo IS PROHIBITED.</small>		<small>P/C: S22E00</small> <small>SCALE 1:1 UNITS mm V.1.03</small>	<small>THIRD ANGLE PROJECTION</small>