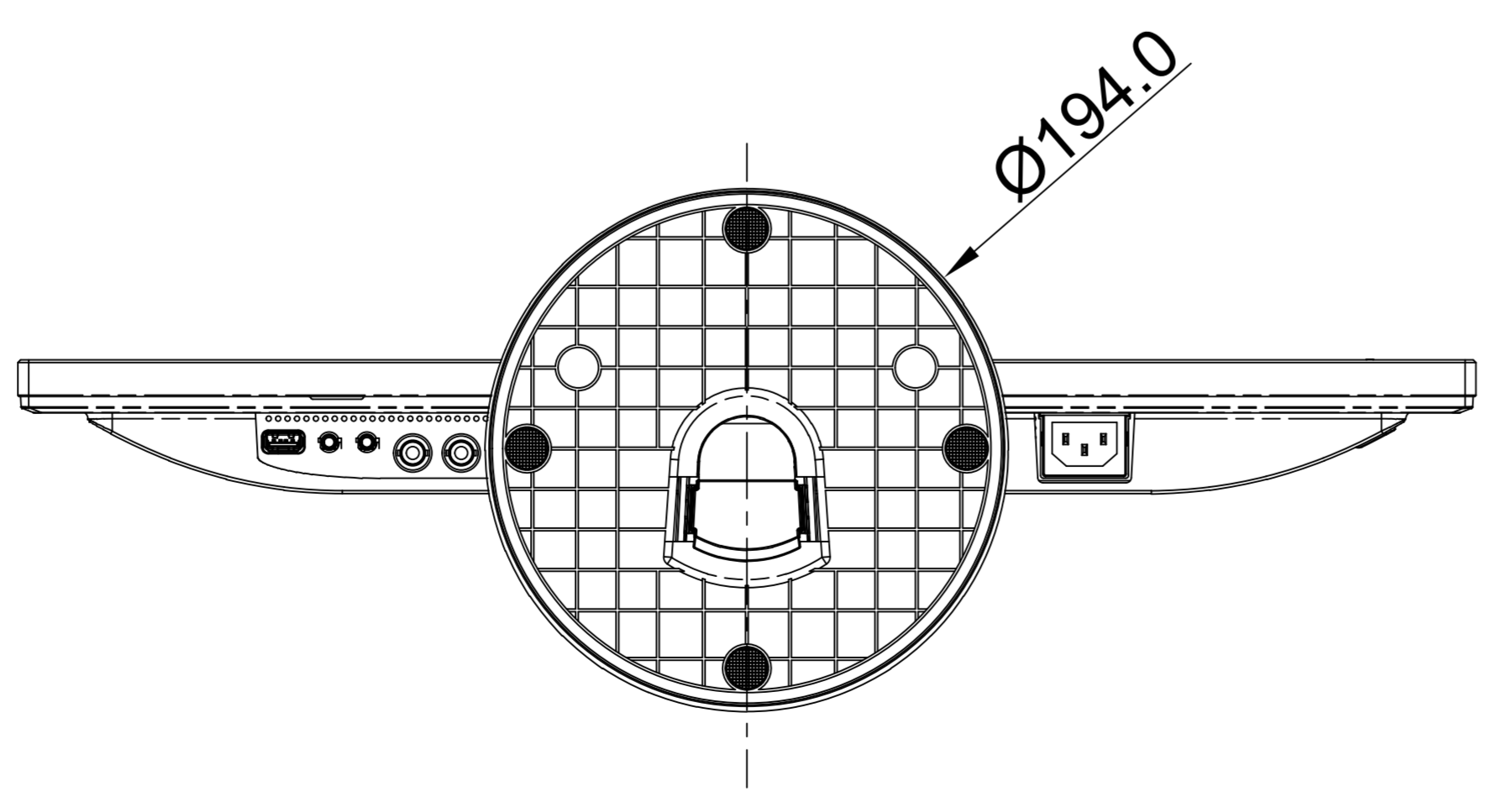
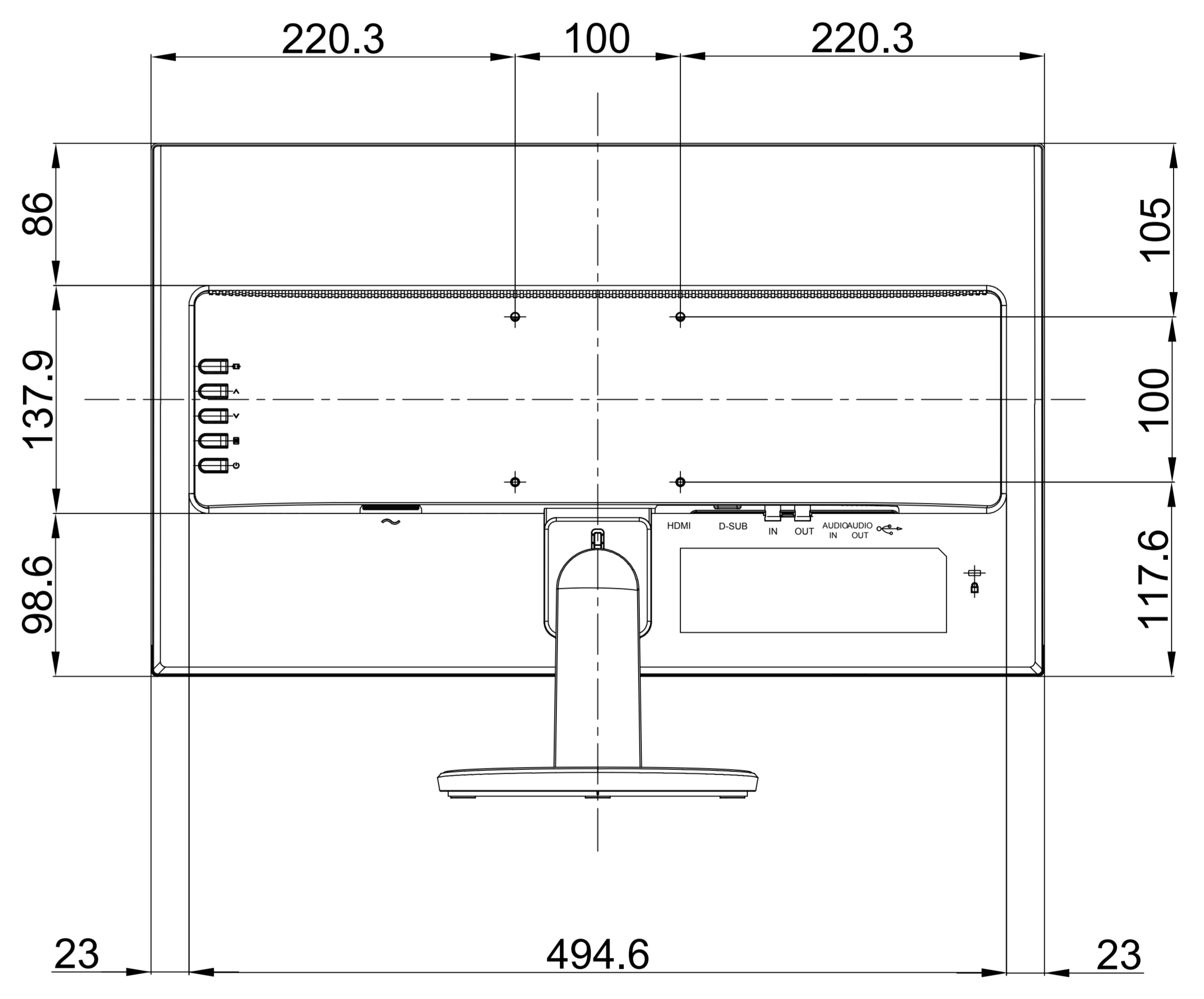
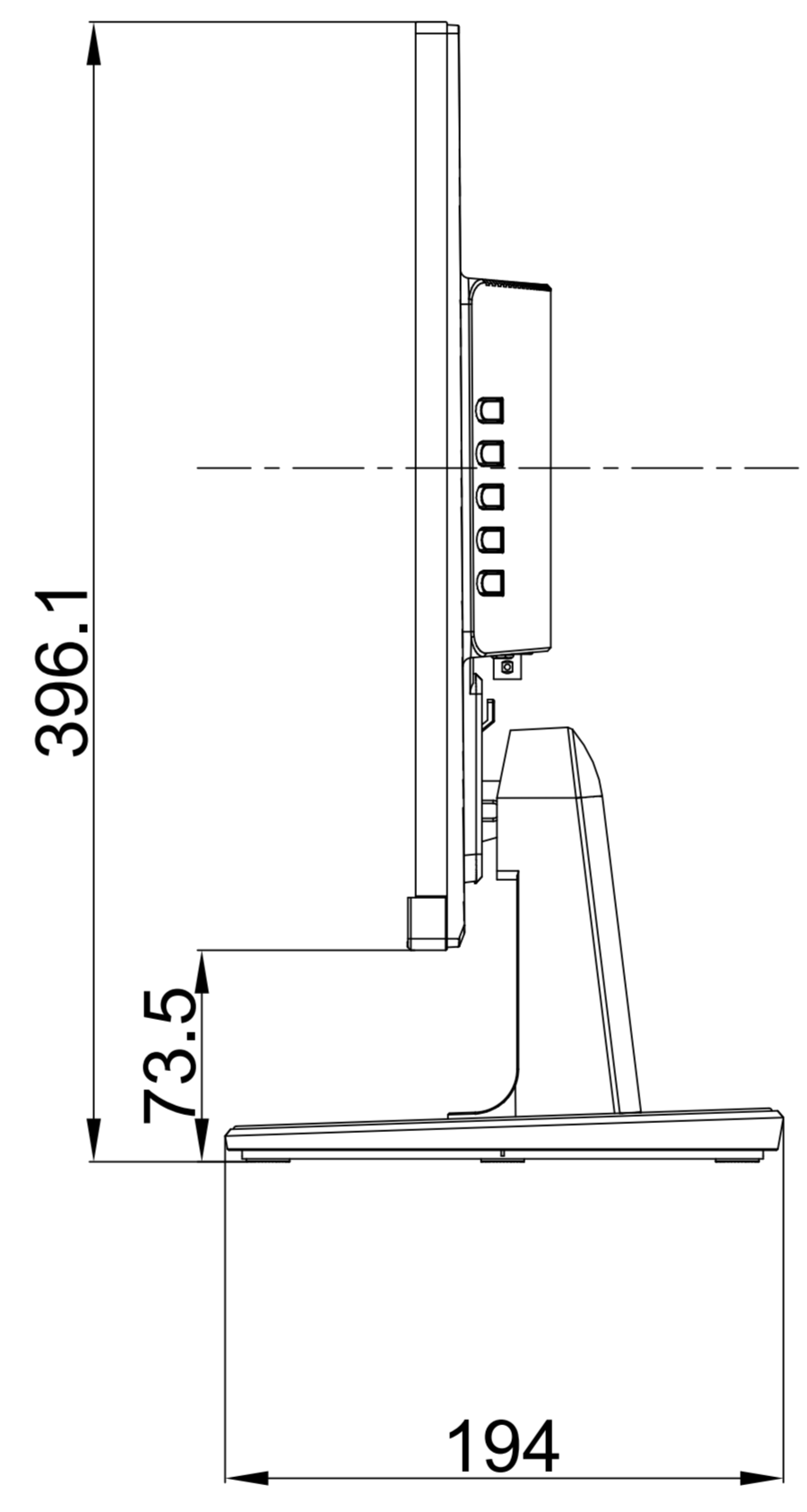
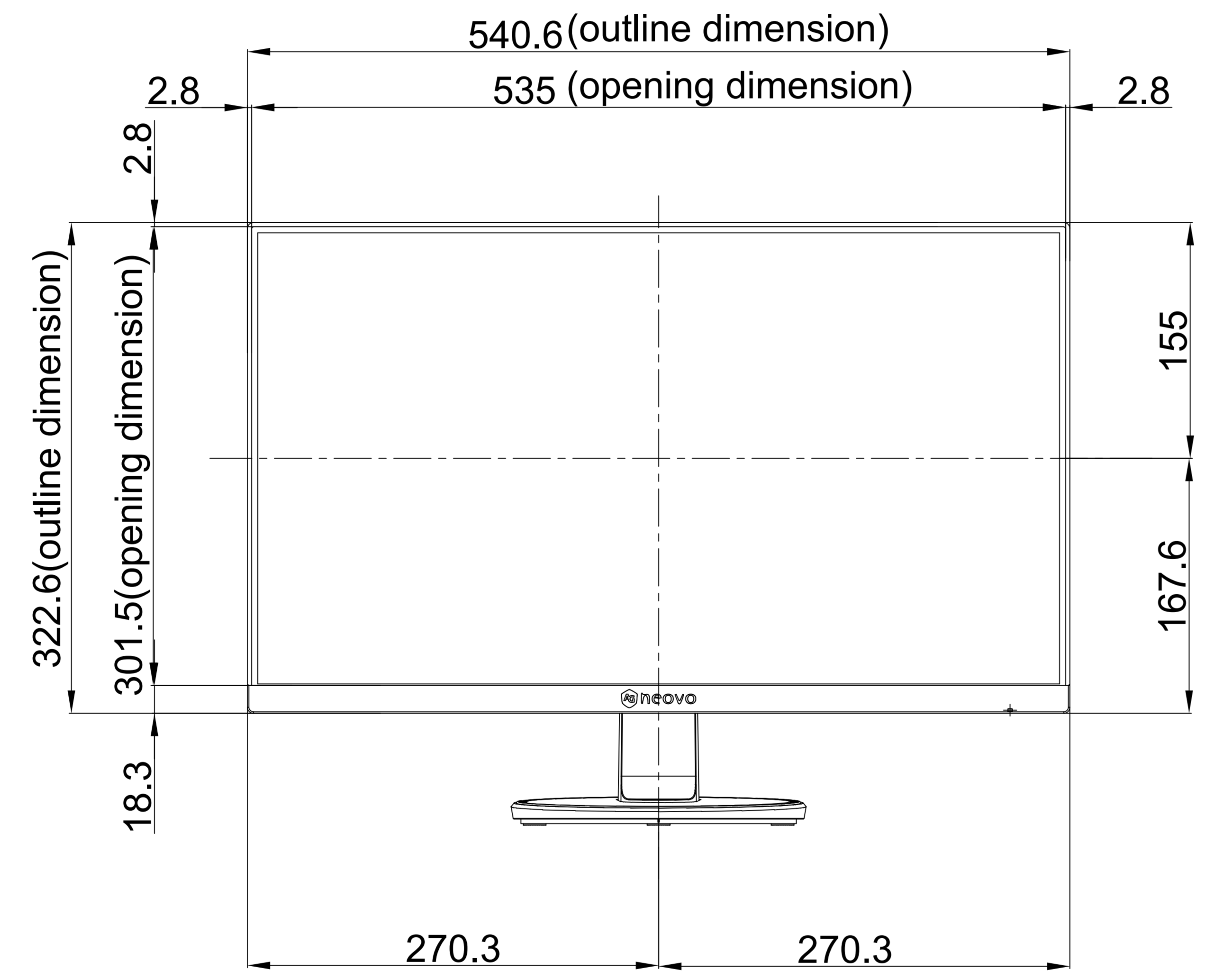
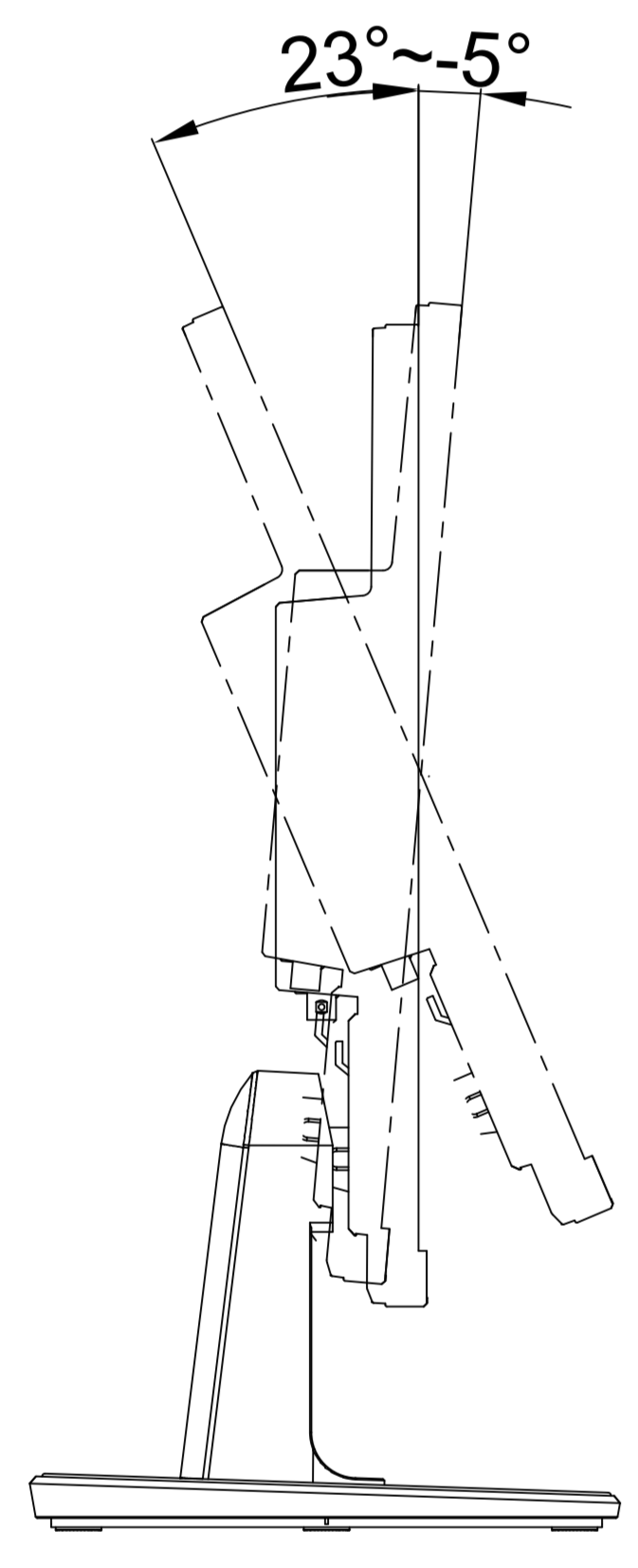


SC-24E
 Net weight :3.8kg (with stand)
 3.4 kg (w/o stand)



SPECIFICATIONS SUBJECT TO CHANGE WITHOUT NOTICE.

 www.agneovo.com	Model Name:	SC-24E
	P/C: S24E00	
<small>THIS DRAWING ON THIS PRINT AND INFORMATION BELONG WITH AG Neovo. ANY REPRODUCTION IN PART OR WHOLE WITHOUT WRITTEN PERMISSION OF AG Neovo IS PROHIBITED.</small>	 THIRD ANGLE PROJECTION	SCALE 1:1 UNITS mm V.1.03