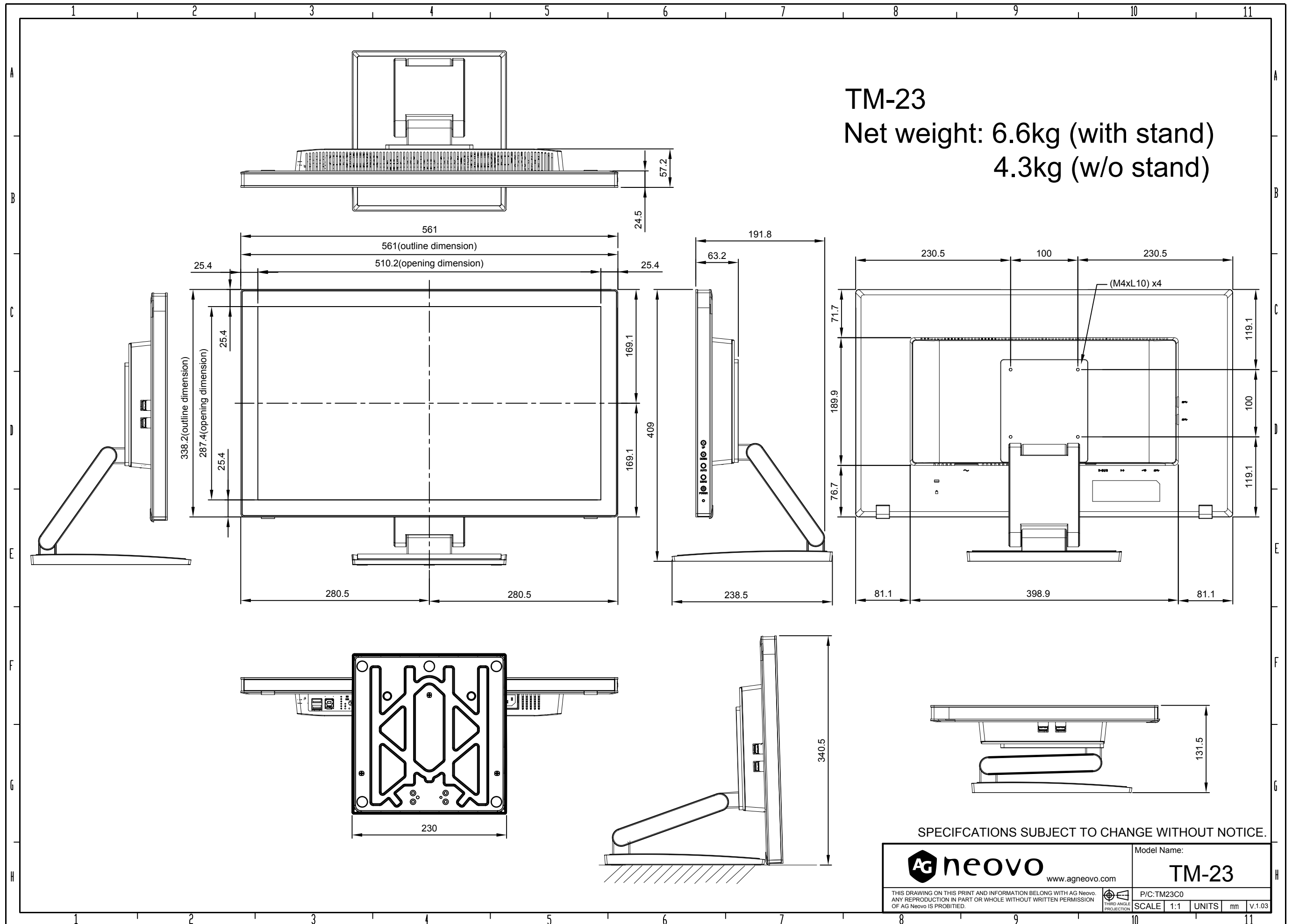


TM-23

Net weight: 6.6kg (with stand)
4.3kg (w/o stand)



SPECIFICATIONS SUBJECT TO CHANGE WITHOUT NOTICE.

 www.agneovo.com	Model Name:	TM-23
	P/C:TM23C0	
THIS DRAWING ON THIS PRINT AND INFORMATION BELONG WITH AG Neovo. ANY REPRODUCTION IN PART OR WHOLE WITHOUT WRITTEN PERMISSION OF AG Neovo IS PROHIBITED.	THIRD ANGLE PROJECTION	SCALE 1:1 UNITS mm V.1.03