

# LH-Series LCD Monitor 27" | 24" | 22"

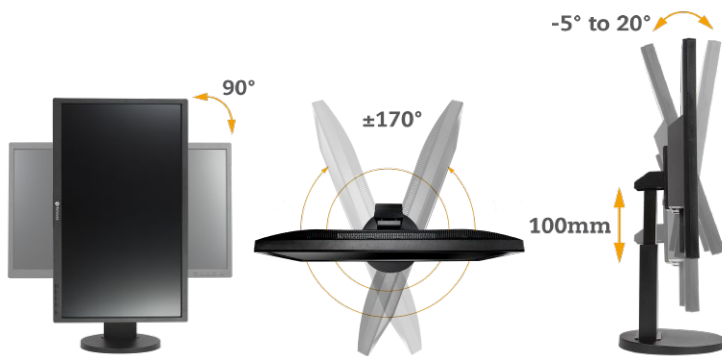
## Ergonomic Home and Office Displays that Ensure Viewing Comfort



The LH-Series is focused on offering the viewer an immersive yet relaxed viewing experience. The displays are built with both flicker-free and blue-light filter technologies to protect the viewer from eye strain, while an ergonomically-designed stand which can be freely adjusted allows you to manoeuvre your display based on its surroundings conveniently. Further complemented by motion enhancement capabilities that reduce blur and sharpen image clarity, the LH-Series are displays that ensure comfort and are ideal for both home or office use.



LH-27    LH-24 / LH-22



LH-24 / LH-22

### Maximised Comfort and Efficiency

An ergonomically-designed stand makes it possible to configure your workstation and create a working environment the way you want it. For comfort, convenience, and efficiency, tilt, pivot, or swivel the display, adjust its height, or shift to either portrait or landscape mode.

### Eye Comfort

Eye comfort figures high on the list of strengths that define the LH-Series. The flicker-free backlight and blue light filter of the LH-Series ensure a comfortable viewing experience by reducing eyestrain after long periods of use. A finely tuned overdrive circuit greatly reduces ghosting and blurring to ensure videos look clean and sharp.



LOW BLUE LIGHT



### Flexible Connectivity and Multimedia Options

Connectivity versatility brings immense flexibility. Given its HDMI, DisplayPort, and VGA input options, you can easily connect an LH-Series display to your current or older peripherals, like PCs, laptops, or media players and enjoy Full HD resolution video and audio content.

### Features

- Full HD 1920 x 1080 resolution
- Crisp 20,000,000:1 dynamic contrast ratio
- DisplayPort and HDMI inputs for Full HD connectivity with a variety of devices
- Blue-light filter and flicker-free display technology reduces eye discomfort
- Selectable aspect ratio
- Built-in speakers and audio mini-jack in/out connection
- VESA mount compatibility for flexible installation
- Height adjustable stand allows users to tilt, pivot and swivel



## Specifications

### LH-27

### LH-24

### LH-22

Panel	Panel Type	LED-Backlit TFT LCD (VA Technology) 27.0"	LED-Backlit TFT LCD (IPS Technology) 23.8"	LED-Backlit TFT LCD (TN Technology) 21.5"
	Panel Size	FHD 1920 x 1080	FHD 1920 x 1080	FHD 1920 x 1080
	Max. Resolution	0.314 mm	0.275 mm	0.248 mm
	Pixel Pitch	280 cd/m <sup>2</sup>	270 cd/m <sup>2</sup>	300 cd/m <sup>2</sup>
	Brightness	20,000,000:1 (DCR)	20,000,000:1 (DCR)	20,000,000:1 (DCR)
	Contrast Ratio	178°/178°	178°/178°	170°/160°
	Viewing Angle (H/V)	16.7M	16.7M	16.7M
	Display Colour	5 ms	5 ms	3 ms
	Response Time			
Frequency (H/V)	H Freq. V Freq.	30 kHz-83 KHz 56 Hz-75 Hz	30 kHz-83 KHz 56 Hz-75 Hz	30 kHz-83 KHz 56 Hz-75 Hz
Input	DisplayPort HDMI VGA	x 1 1.3 x 1 15-Pin D-Sub x 1	x 1 1.3 x 1 15-Pin D-Sub x 1	x 1 1.3 x 1 15-Pin D-Sub x 1
Audio	Audio In Audio Out Internal Speakers	Stereo Audio Jack (3.5 mm) Stereo Audio Jack (3.5 mm) 2W x 2	Stereo Audio Jack (3.5 mm) Stereo Audio Jack (3.5 mm) 2W x 2	Stereo Audio Jack (3.5 mm) Stereo Audio Jack (3.5 mm) 2W x 2
Power	Power Supply Power Requirement On Mode Stand-by Mode Off Mode	Internal AC 100-240V, 50/60 Hz 25W (On) < 0.5W < 0.5W	Internal AC 100-240V, 50/60 Hz 18W (On) < 0.5W < 0.5W	Internal AC 100-240V, 50/60 Hz 18W (On) < 0.5W < 0.5W
Operating Conditions	Temperature Humidity	5°C-35°C (41°F-95°F) 20%-85% (non-condensing)	5°C-35°C (41°F-95°F) 20%-85% (non-condensing)	5°C-35°C (41°F-95°F) 20%-85% (non-condensing)
Storage Conditions	Temperature Humidity	-20°C-60°C (-4°F-140°F) 5%-85% (non-condensing)	-20°C-60°C (-4°F-140°F) 5%-85% (non-condensing)	-20°C-60°C (-4°F-140°F) 5%-85% (non-condensing)
Mounting	VESA FPM PMI	Yes (100 x 100 mm)	Yes (100 x 100 mm)	Yes (100 x 100 mm)
Stand	Tilt Pivot Swivel Height Adjustment	-5° to 20° 0° to 90° ± 160° 0-130 mm	-5° to 20° 0° to 90° ± 170° 0-100 mm	-5° to 20° 0° to 90° ± 170° 0-100 mm
Security	Kensington Security Slot	Yes	Yes	Yes
Dimensions	w/Base (W x H x D) Packaging (W x H x D)	612.0 x 517.0 x 243.0 mm (24.1" x 20.4" x 9.6") 701.0 x 457.0 x 196.0 mm (27.6" x 18.0" x 7.7")	555.0 x 512.0 x 204.0 mm (21.9" x 20.2" x 8.0") 628.0 x 423.0 x 166.0 mm (24.7" x 16.7" x 6.5")	511.0 x 465.6 x 204.0 mm (20.1" x 18.3" x 8.0") 565.0 x 377.0 x 149.0 mm (22.2" x 14.8" x 5.9")
Weight	w/Base Packaging	6.2 kg (13.6 lb) 8.0 kg (17.6 lb)	4.9 kg (10.8 lb) 6.5 kg (14.3 lb)	4.6kg (10.1 lb) 6.2 kg (13.6 lb)
Regulation Approval	Certification & Compliance	CE, LVD, WEEE, RoHS, REACH, CCC, CEL	CE, LVD, FCC, WEEE, RoHS, REACH	CE, LVD, FCC, WEEE, RoHS, REACH, BSMI
Accessories	Supplied	Power Cord, VGA Cable, Audio Cable, Quick Start Guide, Warranty Card	Power Cord, VGA Cable, Audio Cable, Quick Start Guide, Warranty Card	Power Cord, VGA Cable, Audio Cable, Quick Start Guide, Warranty Card
Optional Accessories		Wall Mount: PMK-01 Desk Mount: DMC-01 Ceiling Mount (Landscape only): CMP-01 + WMK-03 Wall Mounts (Landscape only): WMA-01, WMK-01, WMK-03	Wall Mount: PMK-01 Desk Mounts: DMC-01, DMC-02D, DMS-01D, DMS-01Q, ES-02 Ceiling Mount (Landscape only): CMP-01 + WMK-03 Wall Mounts (Landscape only): WMA-01, WMK-01, WMK-03	Wall Mount: PMK-01 Desk Mounts: DMC-01, DMC-02D, DMS-01D, DMS-01Q, ES-02 Ceiling Mount (Landscape only): CMP-01 + WMK-03 Wall Mounts (Landscape only): WMA-01, WMK-01, WMK-03

**Global Headquarters**

Taipei, Taiwan

**EMEA Regional Headquarters**

Capelle a/d IJssel, The Netherlands

**North & South America Regional Headquarters**

San Jose, CA, U.S.A.

**Asia-Pacific Regional Headquarters**

Taipei, Taiwan

**Canada Sales Office**

Vancouver, B.C., Canada

**China Sales Office**

Shanghai, China

**Czech Republic Sales Office**

Brno, Czech Republic

**Denmark Sales Office**

Støvring, Denmark

**Germany Sales Office**

Mechernich, Germany

**Italy Sales Office**

Livorno, Italy

**Poland Sales Office**

Warsaw, Poland

**Spain Sales Office**

Barcelona, Spain

**Ukraine Sales Office**

Lviv, Ukraine

[displays.agneovo.com](https://displays.agneovo.com)